



key data: **AVX230**

Airflow m <sup>3</sup> /hour	<b>668</b>	Power Watts	<b>45</b>
litres/sec	<b>185</b>	Noise dB(A)	<b>53</b>

the wall/ceiling range

- AVX230SN** Standard model with fixed louvres.
- AVX230PN** Pull cord model.
- AVX230MPN** Manual pull cord model, pull cord operates shutters.
- AVX230AN** Automatic model.
- AVX300SN** Standard model with fixed louvres.
- AVX300PN** Pull cord model.
- AVX300MPN** Manual pull cord model, pull cord operates shutters.
- AVX300AN** Automatic model.

54

accessories

- AVA012** 10 Pk 60-325mm Worm Drive Clamps.
- AVA080** 230mm x 10m Flexible Aluminium duct.
- AVA090** 315mm x 10m Flexible Aluminium duct.
- AVA206** 300mm Fixed External Grille c/w Spigot (White)
- AVA207** 300mm Fixed External Grille (White).
- AVA208** 230mm Fixed External Grille (White).
- AVA209** 230mm Fixed External Grille c/w Spigot (White).
- AVA295** Wall Fixing Kit AVX 230.
- AVA299** 300mm Through-Wall Rigid Aluminium Vent Kit 400mm.
- AVA301** 230mm Through-Wall Ducting Kit 400mm.
- AVA302** 300mm Through-Wall Vent Kit – 400mm long with Grille.
- AVA309** AVX230 Roof Cowl Termination.
- AVA309/1** AVX300 Roof Cowl Termination.
- AVA351** Remote Timer – Standard Fans Only.
- AVA361** Remote Humidistat – Standard Fans Only.
- AVA362** Remote PIR – Standard Fans Only.
- AVA1206** 300mm Gravity Grille.
- AVA1209** 230mm Gravity Grille.

See pages 66-72 for the full range of accessories.

use of controllers

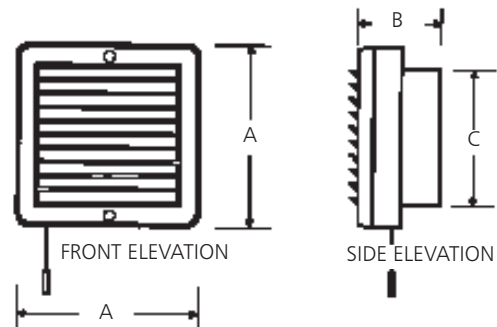
Model	150/6	230/9	300/12
AVACTRL2R	○	●+	○
AVACTRLV	●*	○	○
AVACTRLVRN	○	●+	●+

\* EXCLUDES HUMIDISTAT MODELS  
+ EXCLUDES MANUAL PULL CORD MODELS.

features

- wall or ceiling mounting
- ideal for commercial applications

dimensions



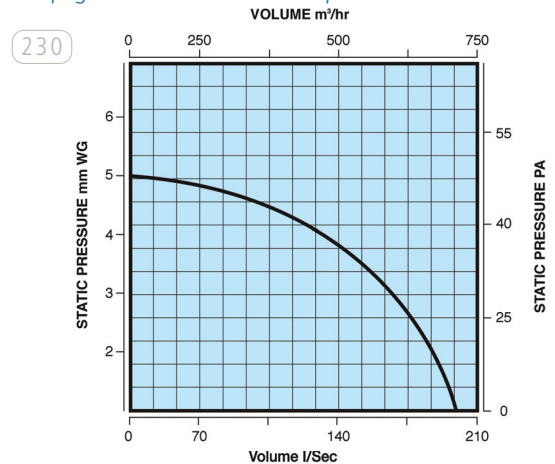
model	A	B	C	wall hole size
AVX230N	286	141	230	255Ø
AVX300N	362	156	300	320Ø

performance

	airflow m <sup>3</sup> /hour	litres/sec	noise level dB(A)@ 2m	power W
AVX230N	668	185	53	45
AVX300N	1100	306	60	82

performance for AVX Wall/ceiling range

See page 45 for AVX300 model performance



technical data

RATING: 220-240V ~AC; IP24 ; CONSTRUCTION: double-insulated impact-resistant ABS thermoplastic; MOTOR: 4 pole induction motor with pre-oiled bearings. Thermal overload protection; MAXIMUM OPERATING TEMPERATURE: 40°C. **CE**

**IP 24 ZONE U WARRANTY 5**

EXCHANGE