

Stainless Steel Cowled Grille Specification Sheet



Product Description

Stainless Steel Cowled Grille

Key Features

- Suitable for Exhaust Ventilation
- Smooth air flow control
- Wall Mounting
- Stainless steel Construction
- Supplied with sealing ring

Technical Details

Construction	Stainless Steel
Warranty	1 Years Exchange
Country of Origin	UK
Manufacturer	Addvent

Models

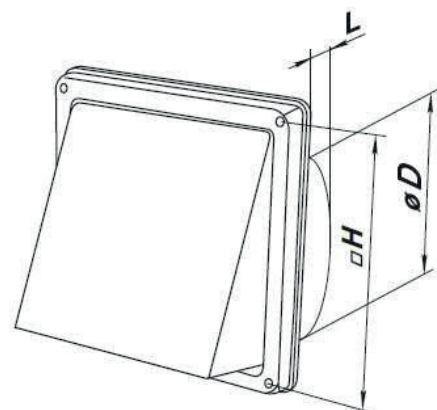
Model No.	Product Description
AVA494	100mm Stainless Steel Cowled Grille
AVA594	125mm Stainless Steel Cowled Grille
AVA694	150mm Stainless Steel Cowled Grille

Additional Information

Ceiling/Wall Hole Size	mmØ
AVA494	99
AVA594	124
AVA694	149

Dimensions

Model	Dimensions (mm)			Air Pass (cm ²)
	D	H	L	
AVA494	97	137 × 137	52	71
AVA594	120	167 × 167	52	113
AVA694	145	167 × 167	62	165



Tel: **+44 (0)117 923 5375**
 Email: enquiries@addvent.co.uk