

Stainless Bullnose Vent Specification Sheet



Product Description

Stainless Steel Bullnose Vents

Key Features

- Suitable for Supply and Exhaust Ventilation Smooth air flow control
- Wall Mounting
- Directing Vanes and Insect screen included Stainless steel Construction
- Supplied with sealing ring

Technical Details

Construction	Stainless Steel
Warranty	1 Years Exchange
Country of Origin	UK
Manufacturer	Addvent

Additional Information

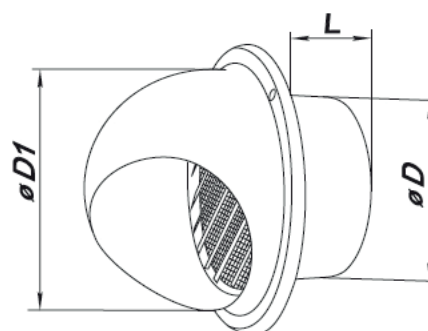
Ceiling/Wall Hole Size	mmØ
AVA492	99
AVA592	124
AVA692	149

Models

Model No.	Product Description
AVA492	100mm Stainless Steel Bullnose Vent
AVA592	125mm Stainless Steel Bullnose Vent
AVA692	150mm Stainless Steel Bullnose Vent

Dimensions

Model	Dimensions (mm)			Air Pass (cm ²)
	D	DI	L	
AVA492	97	133	52	48
AVA592	120	165	52	82
AVA692	145	192	62	126



Tel: **+44 (0)117 923 5375**
 Email: enquiries@addvent.co.uk