

Stainless Steel Air Valves Specification Sheet



Product Description

Stainless Steel Air Valves

Key Features

- Suitable for Supply and Exhaust Ventilation Smooth air flow control
- Ceiling or Wall Mounting
- Easy mounting with mounting flange Stainless steel Construction
- Supplied with sealing ring

Technical Details

Construction	Stainless Steel
Warranty	5 Years Exchange
Country of Origin	UK
Manufacturer	Addvent

Models

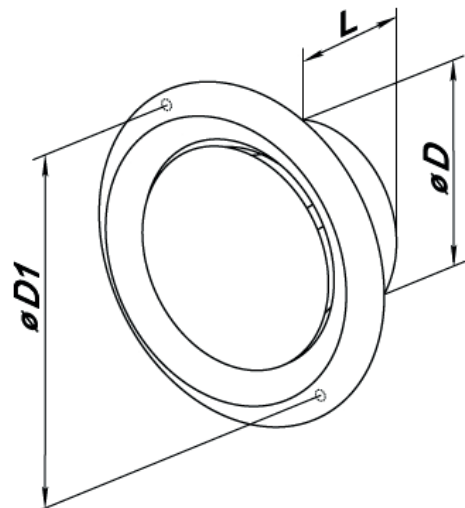
Model No.	Product Description
AVA49I	100mm Stainless Steel Air Valve
AVA59I	125mm Stainless Steel Air Valve
AVA69I	150mm Stainless Steel Air Valve

Additional Information

Ceiling/Wall Hole Size	mmØ
AVA49I	99
AVA59I	124
AVA69I	149

Dimensions

Model	Dimensions (mm)			Air Pass (m ²)
	D	DI	L	
AVA49I	97	118	52	0.0032
AVA59I	120	141	52	0.0057
AVA69I	145	162	62	0.009



Tel: **+44 (0)117 923 5375**
Email: enquiries@addvent.co.uk