

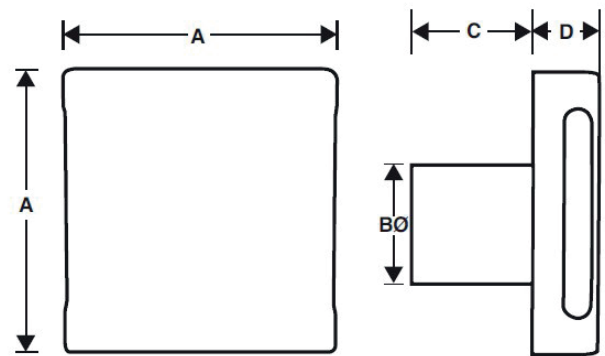
# AVX100 Enhance Zone I Fan Specification Sheet



## Key Features

- IPX5 for use in Zone I
- No transformer required
- Enhance Range Styling
- From just 28dB(A)
- Part L and Part F compliant
- Low energy consumption
- Built-in backdraft shutter
- High quality, long life motors and continuously rated
- For wall or ceiling mounting

## Dimensions



## Technical Details

|                           |                              |
|---------------------------|------------------------------|
| Construction              | High Gloss ABS Thermoplastic |
| Colour Finish             | White                        |
| Rating                    | 220-240V                     |
| IP Rating                 | IPX5                         |
| Max Operating Temperature | 40°C                         |
| Class                     | Double Insulated             |
| Motor                     | AC                           |
| Approvals                 | UKCA, CE                     |
| Warranty                  | 5 Years Exchange             |
| Country of Origin         | United Kingdom               |
| Manufacturer              | Addvent                      |

| Product   | A   | ØB | C  | D  |
|-----------|-----|----|----|----|
| AVX100EZS | 160 | 99 | 80 | 40 |
| AVX100EZT | 160 | 99 | 80 | 40 |
| AVX100EZH | 160 | 99 | 80 | 40 |

## Models

| Model No. | Product Description  |
|-----------|--|
| AVX100EZS | AVX100EZS Enhance Zone I Fan                                 |
| AVX100EZT | AVX100EZT Enhance Zone I Fan with Timer                      |
| AVX100EZH | AVX100EZH Enhance Zone I Fan with Timer and Humidity Control |

## Options

| Model Modifications | S | H | T |
|---------------------|---|---|---|
| Standard            | ● |   |   |
| Run-On Timer        |   | ● |   |
| Humidity            |   | ● | ● |

|                     |  |
|---------------------|--|
| Standard (S)        | Standard Model for Remote Switching  |
| Run-on Timer (T)    | Adjustable from 5 to 30 minutes  |
| Humidity Sensor (H) | Adjustable from 40% to 90% RH<br>Run-on timer adjustable from 5 to 30 minutes. |

LinkedIn



Tel: +44 (0)117 938 6402  
Email: enquiries@addvent.co.uk

# AVX100 Enhance Zone I Fan Specification Sheet

## Performance Details

| Product   | Speeds | Airflow |                    | Power | SFP     | Sound Level  |
|-----------|--------|---------|--------------------|-------|---------|--------------|
|           |        | l/s     | m <sup>3</sup> /hr | (W)   | (W/l/s) | dB(A)<br>@3m |
| AVX100EZS | 1      | 21      | 75                 | 5.5   | 0.29    | 28           |
| AVX100EZT | 1      | 21      | 75                 | 5.5   | 0.29    | 28           |
| AVX100EZH | 1      | 21      | 75                 | 5.5   | 0.29    | 28           |

## Installation Information

Wall or Ceiling Mountable

## Additional Information

|                   |        |
|-------------------|--------|
| Wall Hole Size    | 115mmØ |
| Ceiling Hole Size | 105mmØ |

