

AVX100ZHB Addvent Specification Sheet



Technical Details

Construction	UV-Resistant Plastic
Colour Finish	White
Rating	220-240V
IP Rating	IP45
Max Operating Temp	40°C
Class	Double Insulated
Motor	DC
Approvals	CE, GS
Warranty	5 Years Exchange
Country of Origin	UK
Manufacturer	Addvent

Models

Model No.	Product Description
AVX100ZHB	All in One Fan with Humidity and Timer

Dimensions

Dimensions MM	ØD	B	H	L	LI
	99	158	136	81	26

Installation Information

Wall or Ceiling Mountable

Performance Details

Product	Speed	Airflow		Power (W)	SFP (W/l/s)	Sound Level @3m d(B)A
		m ³ /hr	l/s			
AVX100ZHB	Trickle Low	22	6	0.7	0.116	10
	Trickle Medium	29	8	0.9	0.112	11
	Trickle High	47	13	1.7	0.130	13
	Boost Low	54	15	2.1	0.140	14
	Boost High	83	23	3.4	0.147	21

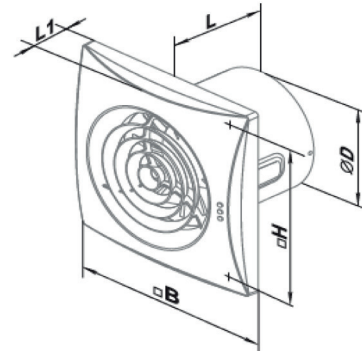
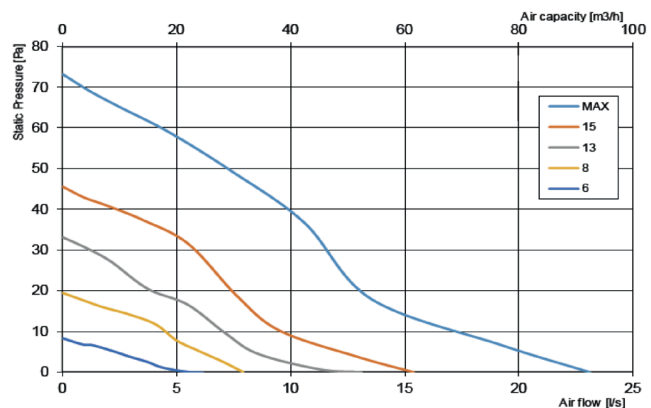
Key Features

- From just 10dB
- For use in Zone 1 IP45
- No transformer required
- Intermittent and continuous running options
- 5 speed options
- System 1 and System 3 compliant on the building regulations
- Complies with part L and part F of the building regulations
- Low energy consumption: from only 3.4 w
- Timer & humidity control
- Specially designed mixed-flow impeller ensures high airflow and low noise level
- Built-in anti-vibration mounting to further reduce noise
- Built in backdraft shutter
- SFP 0.147 w/l/s
- 5 Year Exchange Warranty

Control

S	T	H	P
-	•	•	-

Timer (T)	Run-on Timer (T) Run-on timer - adjustable from 2 to 30 minutes.
Humidity Sensor (H)	Humidity Sensor (H) Humidity sensor- adjustable from 60% to 90% RH. Run-on timer adjustable from 2 to 30 minutes.



Tel: +44 (0)117 923 5375
Email: enquiries@addvent.co.uk