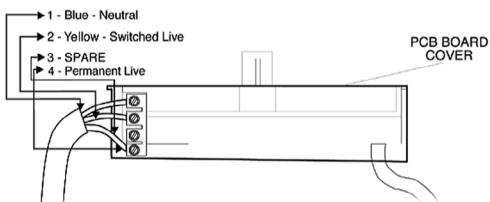


Electrical Connections: Electronic Humidity Model – see Figure 3 below.

Connect to electrical supply as shown in figure 3.

For the fan to operate as a normal time delay unit with humidity over-ride, ie, when connected with a switched live coming from the light switch into the fan, the fan will operate when the light is switched on, and switch off after about 20 seconds to 20 minutes (timer is pre-set for the minimum). However should the humidity in the room reach about 75% – which will happen if the shower is run or the bath filled with hot water – the fan will switch on and keep running until the humidity has been reduced to a normal level, about 65%.

Figure 3 Electrical connection: Humidity model with Timer



Time delay and override operation
 Terminal 1 = NEUTRAL supply
 Terminal 2 = switch LIVE supply
 Terminal 3 = spare
 Terminal 4 = permanent supply

Adjustments

Timer and humidity adjustment.

For the Timer model please see figure 4 below. For the Humidity model please see figure 5 below. Minimum and maximum values are shown on the diagrams.

WARNING: Only adjust with power switched off.

Figure 4

DETAILED VIEW
 Only adjust with power switched off

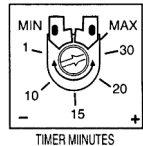
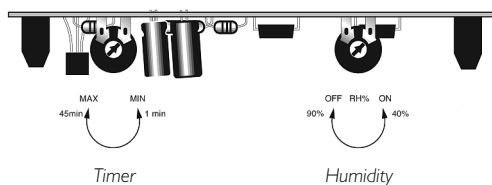


Figure 5



Specification

All AVX100 Elegance [4 inch] models:

220-240V ~50Hz; 20W ; Maximum operating temperature 40°C; IP24.

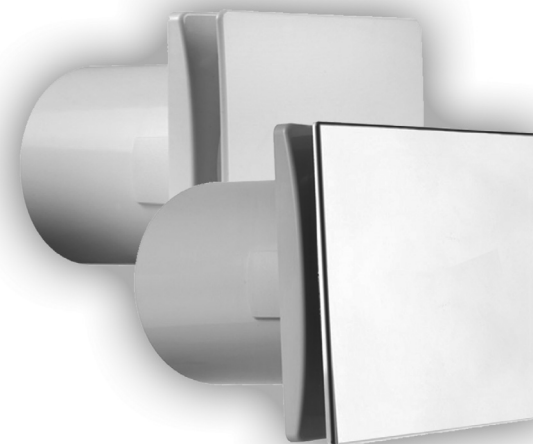


Waste electrical products should not be disposed of with household waste. Please recycle where facilities exist. Check with your local authority or retailer for recycling advice



Telephone: 0117 938 6400 Fax: 0117 938 6401
 Victoria Road, Avonmouth, Bristol BS11 9DB www.addvent.co.uk

**Operating Instructions for
 AVX100ES, AVX100ET, AVX100EH
 and AVX100ESBA, AVX100ETBA,
 AVX100EHBA Elegance Fans**



elegance

IMPORTANT SAFEGUARDS

WHEN USING ANY ELECTRICAL APPLIANCE, BASIC SAFETY PRECAUTIONS SHOULD ALWAYS BE FOLLOWED.

PLEASE READ ALL INSTRUCTIONS CAREFULLY AND RETAIN FOR FUTURE REFERENCE

IF IN ANY DOUBT ABOUT THE INSTALLATION OR USE OF THIS PRODUCT, CONSULT A COMPETENT ELECTRICIAN.



Safety Instructions

- Mains supply **must** be switched off before any electrical connections or maintenance is carried out.
- Installation must be supervised by a competent electrician.
- This appliance is not intended for use by persons (including children) with reduced physical, sensory or mental capabilities, or lack of experience and knowledge, unless they have been given supervision or instruction concerning use of the appliance by a person responsible for their safety.
- Children should be supervised to ensure that they do not play with the appliance.
- Avoid the back-flow of gases into the room from the open flue of gas or other open-fire appliances when mounted in outside windows or walls.

Installation

Before Installation

- For best results this fan should be fitted as high on the wall as possible, or on the ceiling.
- **DO NOT** install the fan within a shower cubicle.
- This fan is double insulated and does not require an earth.
- When installing fan through an external wall, an external wall grille must be fitted.

Installation

- Cut a suitable diameter hole. Recommended size is $\varnothing 115\text{mm}$ (with or without board fixing clips). If the fan is to be fixed in the ceiling ensure that the hole is between the joists.
 - Remove the cover from the fan by twisting the front cover anti-clockwise.
 - Hold the body of the fan against the wall or ceiling and mark the four screw holes and the cable entry on the side. Use the fixing clips to secure the fan in panel walls and ceilings – see figure 1.a.
- IMPORTANT: Ensure that the fan is square on wall or ceiling.**
- Bring the power cable into position, as marked. Allow an extra 230mm (9") protruding to facilitate connection.

Wiring

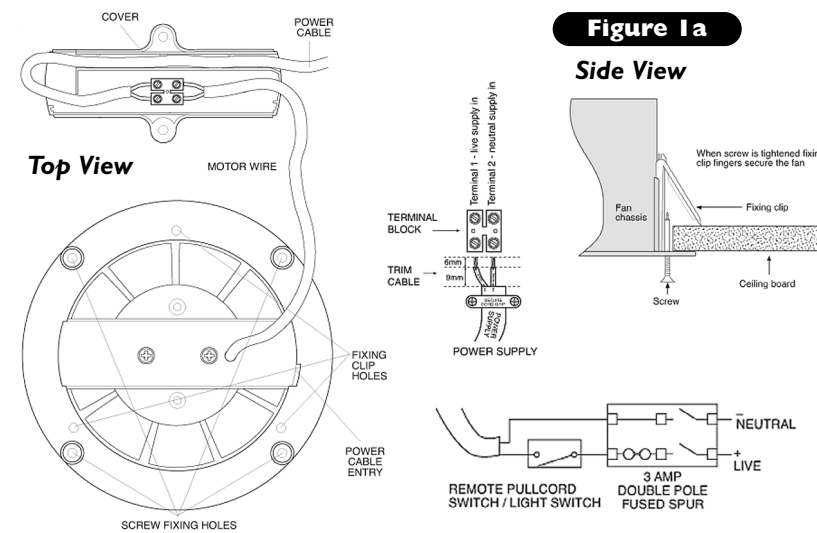
NOTE: All wiring must be fixed securely and the cable to the fan should be a minimum of 1mm² in section. All wiring must comply with current IEE Regulations. If in any doubt contact a qualified electrician.

Electrical Connection: Standard Model – see Figure 1.

Remove the internal cover by removing the 2 small caps and retaining crosshead screws to access the terminal connections.

The fan can either be operated from a separate pullcord switch fitted to the ceiling of the room or can be connected to the light switch so that the fan will start when the light is switched on. A double pole fused spur having a contact separation of at least 3mm in all poles must be used and fitted with a 3 amp fuse, and should be sited outside any room containing a shower or fixed bath. The fan should not be accessible to a person using either the shower or the bath.

Figure 1 Electrical connection: Standard model



Electrical Connections: Timer model – see Figure 2.

Remove the internal cover by removing the 2 small caps and retaining crosshead screws to access the terminal connections. The fan can either be operated from a separate pullcord switch fitted to the ceiling of the room or can be connected to the light switch so that the fan will start when the light is switched on. A double pole fused spur having a contact separation of at least 3mm in all poles must be used and fitted with a 3 Amp fuse, and should be sited outside any room containing a shower or fixed bath. The fan should not be accessible to a person using either the shower or the bath. See overleaf for timer adjustment instructions.

Figure 2 Electrical connection: Timer model

