



## *AXIAL FANS*

*AVIPF*

EN

OPERATION MANUAL

**ADDVENT**

**CONTENT**

3	Introduction
3	General
3	Safety rules
3	Transport and storage requirements
3	Manufacturer's warranty
4	Fan design
4	Delivery set
4	Modifications and options
4	Technical data
5	Mounting and operation guidelines
5	Mounting sequence
6	Installation and connection to power mains
6	Maintenance
7	Warranty card

## INTRODUCTION

This operation manual contains, technical data sheets, operation and mounting guidelines, safety precautions and guidance for safe and correct operation of the fan.

## GENERAL

The fan has IEC Protection Class I and must be earthed.

The fans are for operation only after full and correct installation procedures have been carried out, this includes installation of protection devices in compliance with DIN EN ISO 13875 (DIN EN ISO 12100).

The fan design is improved on a regular basis and some models may vary slightly from those described in this manual.

## SAFETY RULES

The fan complies with the requirements according to the EU norms and directives, to the relevant EU-Low Voltage Equipment Directives and to EU-Directives on Electromagnetic Compatibility.

Any maintenance procedures relating to the fan's electrical connections, servicing or repair must only be carried out after the fan has been disconnected from the power supply.

Installation and maintenance work may only be carried out by qualified installers and in conjunction with the information in this manual.

Please follow the safety regulations (DIN EN 50 110, IEC 364).

Please ensure that there is no damage to the unit before installing or making any electrical connections.

Please ensure that there are no foreign objects inside the fan casing which could damage the impeller blades.

Please ensure that all personnel stay clear of the fan at start up and during operation to avoid accidents.

Misuse of the product or any unauthorized modification are not allowed and will invalidate the warranty.

The fan is designed for connection to ac single-phase see „Technical Data“. The fan is rated for permanent operation.

Ensure that there is sufficient air supply for any combustion equipment and that any flue gases or smoke are not being drawn back in due to poor fan installation.

The fan is not designed to move air that contains any inflammable or potentially explosive substances.

The fan is not designed to move air that contains any potentially corrosive or hazardous substances.

Do not block the fan intake or exhaust.

Do not sit on the fan or place objects in the fan.

Follow the manual guidelines to ensure trouble-free operation and a long service life of the product.

## STORAGE AND TRANSPORTATION RULES

Store in a dry, ventilated area of between +5 °C and +40 °C and with a relative humidity of less than 80 % at +25 °C .

Store the fan in an environment with minimized risk of mechanical damages.

Ensure that the product is only transported in the manufacturer's original packing.

Do not expose the product to extremely low or high temperatures.

## MANUFACTURER'S WARRANTY

The fan complies with the requirements according to EU norms and Directives.

The fan complies with the requirements according to the EU-Low Voltage Equipment Directives.

The fan complies with the requirements according to the EU Directives on Electromagnetic Compatibility.

We hereby declare that the following product complies with the essential protection requirements of Electromagnetic Council Directive 2004/108/EC, 89/336/EEC and Low Voltage Directive 2006/95/EC, 73/23/EEC and CE-marking Directive 93/68/EEC on the approximation of the laws of the Member States relating to electromagnetic compatibility. This certificate is issued following test carried out on samples of the product referred to above. Assessment of compliance of the product with the requirements relating to electromagnetic compatibility was based on the following standards.

The manufacturer hereby warrants normal operation of the fan over the period of 2 years from the retail sale date provided observance of the installation and operation regulations.

In case of failure due to faulty equipment during the warranty period the consumer has the right to exchange it.

If case of no confirmation of the sale date, the warranty term shall be calculated from the manufacturing date.

The replacement is offered by the Seller.

The MANUFACTURER shall not be liable for any damage resulting from any misuse of or gross mechanic interference with the fan.

Please follow the operation guidelines always.

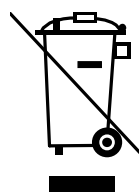


### ATTENTION

*This product is not suitable for use by children and persons with reduced physical, mental or sensory capacities.*

*This product is not to be operated or installed by person(s) who do not have experience or expertise, unless they are controlled or instructed on the product operation by the person(s) responsible for their safety.*

### WARNING

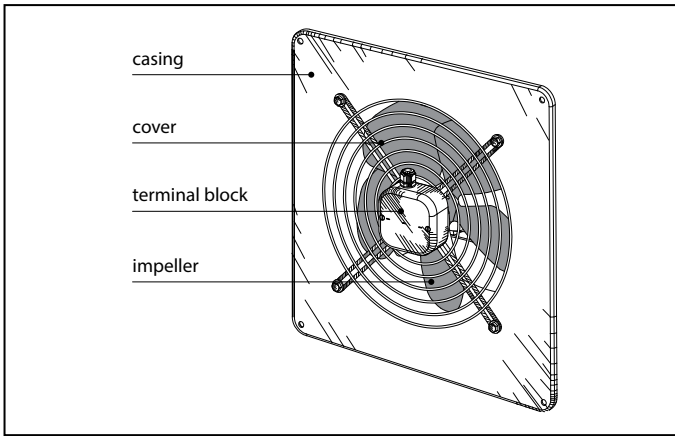


*Do not dispose of this product in a domestic waste bin.*

*The unit contains in part material that can be recycled and in part substances that should not end up as domestic waste.*

*Dispose of the unit once it has reached the end of its working life according to the regulations valid where you are.*

**FAN DESIGN**



**DELIVERY SET**

- ✓ fan – 1 item;
- ✓ operation manual.

**MODIFICATIONS AND OPTIONS**

**AVIPF**

Fan with a square mounting plate

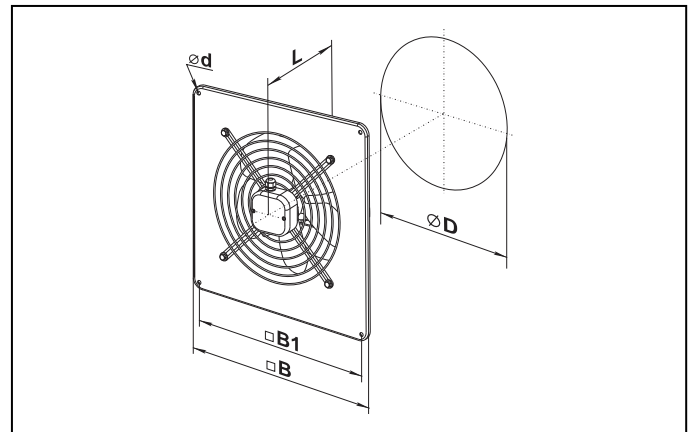
**TECHNICAL DATA**

**Technical data**

	AVIPF250		AVIPF300		AVIPF350		AVIPF400		AVIPF450		AVIPF500		AVIPF550		AVIPF630	
Voltage	1~ 220–240															
Frequency [Hz]	50	60	50	60	50	60	50	60	50	60	50	60	50	60	50	60
Power [W]	50	56	75	92	140	147	180	240	250	325	420	455	550	654	750	979
Current [A]	0.22	0.24	0.35	0.4	0.65	0.66	0.82	1.08	1.2	1.46	1.95	2.05	2.55	2.88	3.5	4.26
Max. air flow [m³/h]	800	865	1340	1475	2500	2650	3580	3890	4680	4790	7060	7130	8800	8970	11900	12100
RPM [min <sup>-1</sup> ]	1380	1730	1350	1405	1380	1700	1380	1655	1350	1600	1300	1630	1300	1580	1360	1625
Noise level, 3 m [dBA]	55	56	58	59	62	63	63	64	64	65	69	69	70	71	75	76
Max. transported air temperature [°C]	-30 +60	-30 +50	-30 +60	-30 +50	-30 +60	-30 +50	-30 +60	-30 +50	-30 +60	-30 +50	-30 +60	-30 +50	-30 +60	-30 +50	-30 +60	-30 +50
Ingress Protection Rating	IP24															

**Overall dimensions**

Type	Dimensions [mm]					Weight [kg]
	Ø D	Ø d	B	B1	L	
AVIPF250	260	7	370	320	155	4.1
AVIPF300	326	9	430	380	195	5.1
AVIPF350	388	9	485	435	200	7.1
AVIPF400	417	9	540	490	240	8.8
AVIPF450	465	11	576	535	250	10.6
AVIPF500	520	11	655	615	260	14.2
AVIPF550	570	11	725	675	280	16.6
AVIPF630	650	11	800	710	295	22.6



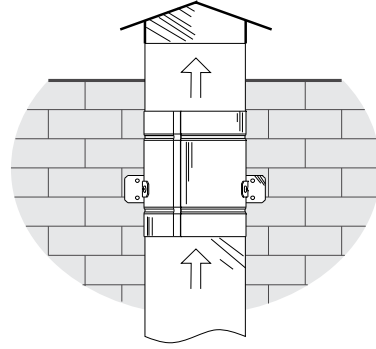
### MOUNTING AND OPERATION GUIDELINES

Ensure that the airflow direction arrow is pointing in the direction you wish the air to move.

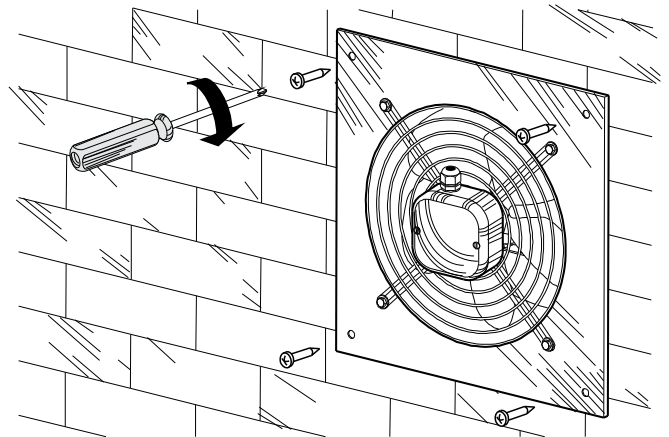
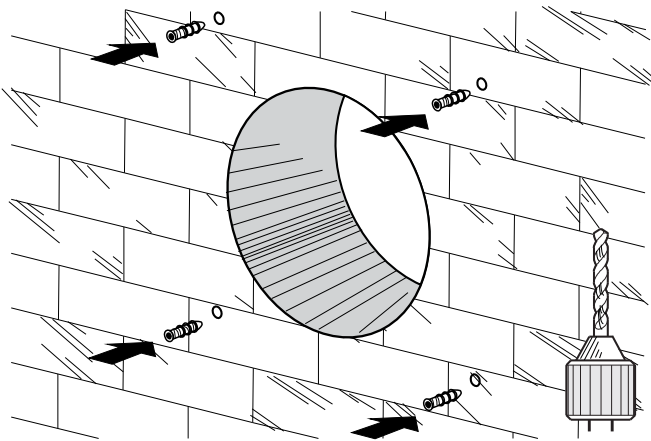
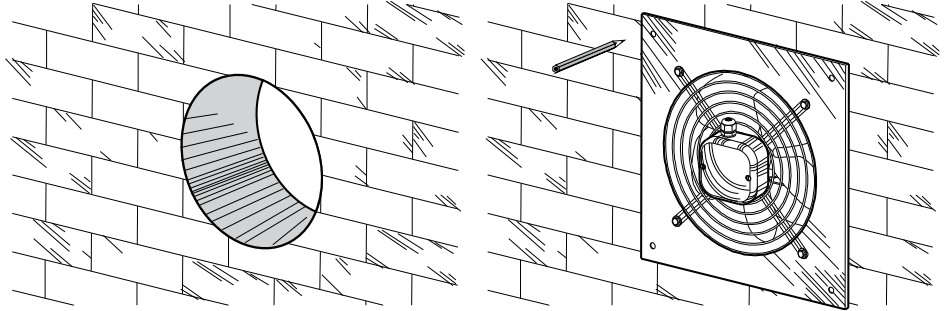
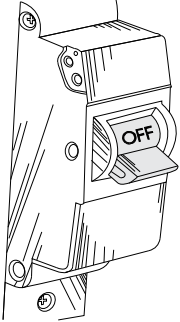
Install the fan to ensure sufficient and easy access for servicing and repair operations.

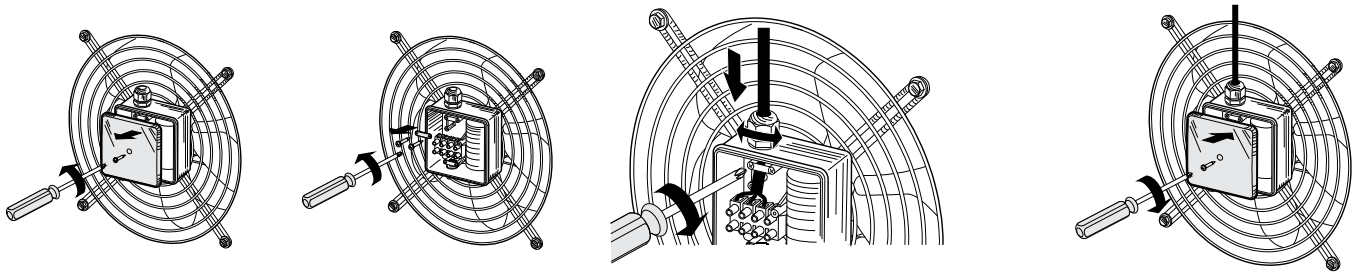
The fan must be earthed.

While mounting vertically protect the fan against water ingress by fitting a roof cowl or similar.

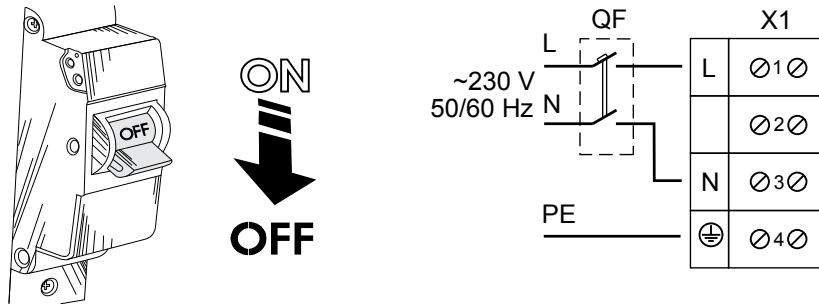


#### Mounting sequence





All electrical connections must be done by qualified persons only. The rated electrical parameter is stated on the rating plate.  
 Any modifications to the fan or any of its electrical connections will result in a void warranty.  
 Ensure that all electrics connected to the fan meet current standards and have been installed by a qualified electrician.  
 Ensure that any isolators or trip switches are in compliance with the fan's current consumption, refer.  
 Ensure that any emergency cut-off switches are easily accessible.



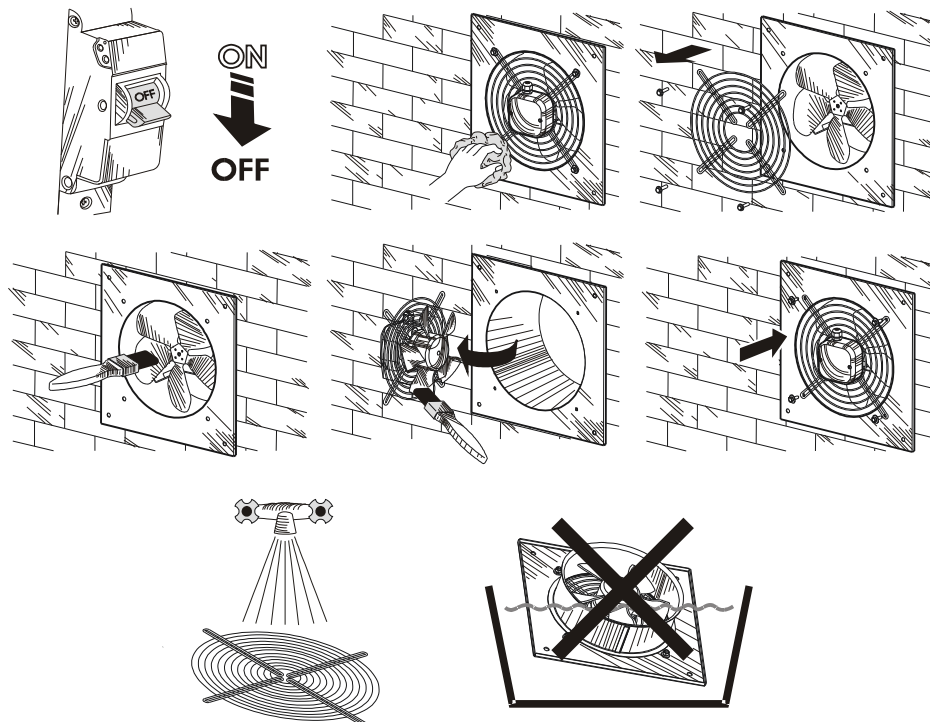
## MAINTENANCE

Disconnect the fan from power mains prior to any maintenance operations.  
 Ensure that the fan does not get wet or come in direct contact with water.  
 Ensure that the fan is routinely cleaned to keep the fan surfaces free from dust and dirt.  
 The procedure for removing parts for cleaning is shown in figs.

Clean the impeller blades with a soft cloth or a brush and a mild soap solution, whilst avoiding any liquid splashing directly on to the motor. Clean the impeller blades thoroughly at least once every 6 months.

### Operation recommendations

1. Clean the fan regularly to keep it free from dust, dirt and foreign objects.
2. Check all fastenings and connections periodically.
3. Check connections, periodically. Check the impeller for possible blade damage, check for high vibration as this may indicate bearing wear and check all connections to ductwork and ancillaries.



**ACCEPTANCE CERTIFICATE**

**Axial fans**  
AVIPF \_\_\_\_\_

**is recognized as serviceable.**

The unit complies with the requirements according to the EU norms and directives, to the relevant EU-Low Voltage Equipment Directives, EU-Directives on Electromagnetic Compatibility.  
We hereby declare that the unit complies with the essential protection requirements of Electromagnetic Council Directive 2004/108/EC, 89/336/EEC and Low Voltage Directive 2006/95/EC, 73/23/EEC and CE-marking Directive 93/68/EEC on the approximation of the laws of the Member States relating to electromagnetic compatibility, which relate to electrical appliances used in set voltage classes.  
This certificate is issued following test carried out on samples of the product referred to above.

Quality Inspector's Stamp \_\_\_\_\_ Manufacture Date \_\_\_\_\_

**CONNECTION CERTIFICATE**

**Axial fans**  
AVIPF \_\_\_\_\_

**is connected to power mains in compliance with the operation manual requirements by the professional:**

Company: \_\_\_\_\_

Expert's Full Name \_\_\_\_\_

Date \_\_\_\_\_ Signature \_\_\_\_\_

**WARRANTY CARD**

AVIPF \_\_\_\_\_

**SELLER**

**PURCHASE DATE**

**REPRESENTATIVE IN EU**

