

AVIPF550 & AVIPF630 Specification Sheet



Technical Details

Construction	Steel Casing and Impeller
Rating	AVIPF550 - 220 - 240V ~ 60HZ: ~ AC 654W AVIPF630 - 220 - 240V ~ 60HZ: ~ AC 979W
IP Rating	IPX4
Class	Class I
Motor	4 Pole Single-phase external rotor motor with axial impeller Ball bearing motor for long life Integrated thermal protection with automatic restart
Maximum Operating Temperature	-30°C to 60°C
Approvals	CE, ErP 2015
Warranty	5 Years Exchange
Country of Origin	UK
Manufacturer	Addvent

Product Description

AVIPF550 & AVIPF630 Industrial Plate Fan

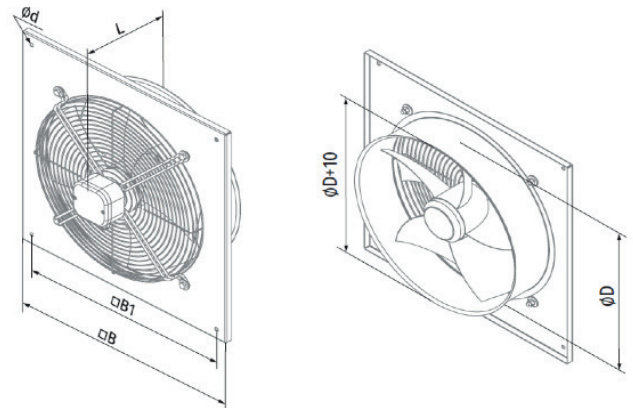
Key Features

- Special Polymer coated atmospheric resistant coating to body and impeller
- Square mounting plate and round flange to facilitate wall mounting
- External terminal box for ease of installation
- Speed Controllers available
- Direct Air Extract
- Supply and extract ventilation systems installed in various premises

Models

Model No.	Product Description
AVIPF550	550mm Metal Industrial Plate Fan
AVIPF630	630mm Metal Industrial Plate Fan

Dimensions



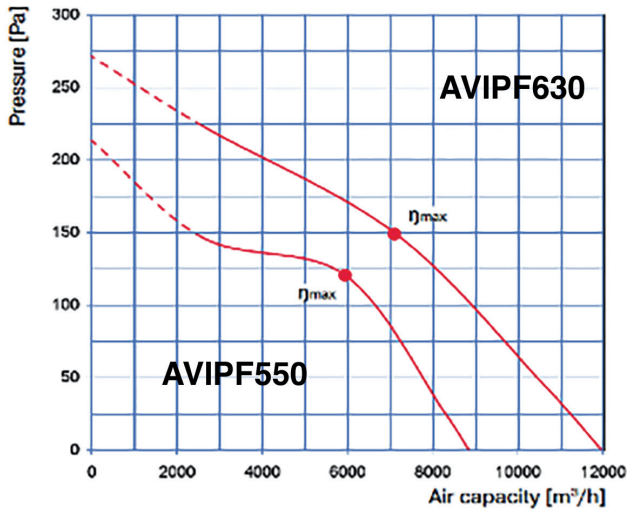
	B	BI	ØD	Ød	L
AVIPF550	576	535	465	11	250
AVIPF630	655	615	520	11	260

Performance Details

Performance	m ³ /hr	l/s	dB(A) @ 3m	Power (W)
AVIPF550	8970	2492	63	654
AVIPF630	12100	3361	68	979

Additional Information

- Wall surface mounting with square connectind frame
- Any mounting position with respect to air flow direction in system
- Power is supplied through an external terminal box
- Smooth speed control with an external thyristor controller - available separately



AVIPF550	Octave-frequency band (Hz)									
Sound Power Level	GEN	63	125	250	500	1000	2000	4000	8000	
LwA to Environment (dBA)	83	73	75	73	75	74	72	66	63	
AVIPF630	Octave-frequency band (Hz)									
Sound Power Level	GEN	63	125	250	500	1000	2000	4000	8000	
LwA to Environment (dBA)	77	71	73	72	73	71	73	63	59	