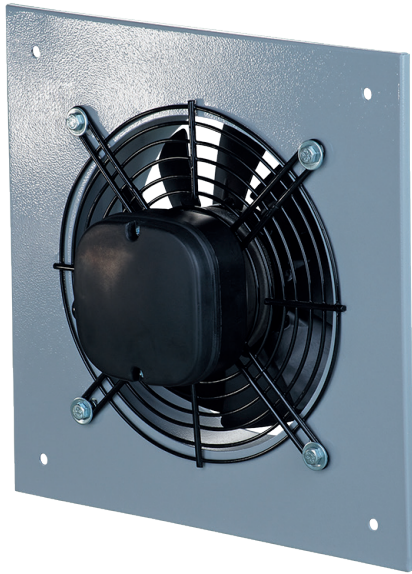


AVIPF350 & AVIPF400 Specification Sheet



Product Description

AVIPF350 & AVIPF400 Industrial Plate Fan

Key Features

- Special Polymer coated atmospheric resistant coating to body and impeller
- Square mounting plate and round flange to facilitate wall mounting
- External terminal box for ease of installation
- Speed Controllers available
- Direct Air Extract
- Supply and extract ventilation systems installed in various premises

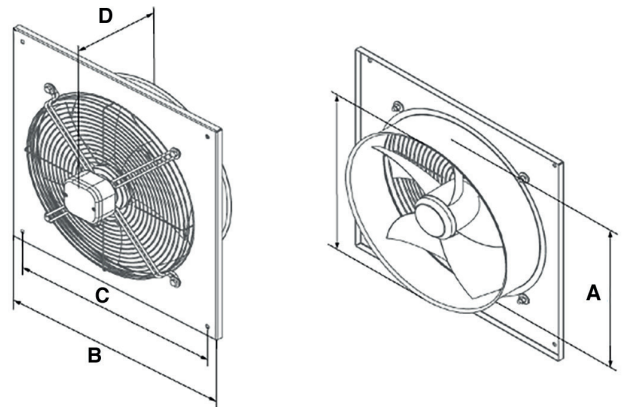
Technical Details

Construction	Steel Casing and Impeller
Rating	AVIPF350 - 220-240V ~60Hz~: AC 147W AVIPF400 - 220-240V ~60Hz~: AC 240W
IP Rating	IPX4
Class	Class I
Motor	4 Pole Single-phase external rotor motor with axial impeller Ball bearing motor for long life Integrated thermal protection with automatic restart
Maximum Operating Temperature	-30°C to 60°C
Approvals	CE, ErP 2018
Warranty	5 Years Exchange
Country of Origin	UK
Manufacturer	Addvent

Models

Model No.	Product Description
AVIPF350	350mm Metal Industrial Plate Fan
AVIPF400	400mm Metal Industrial Plate Fan

Dimensions



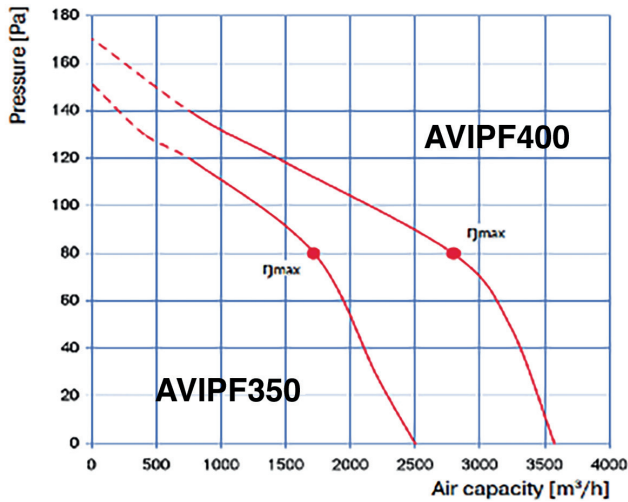
	B	BI	ØD	Ød	L
AVIPF350	485	435	388	9	200
AVIPF400	540	490	417	9	240

Performance Details

Performance	m ³ /hr	l/s	dB(A) @ 3m	Power (W)
AVIPF350	2650	736	47	147
AVIPF400	3890	1081	54	240

Additional Information

- Wall surface mounting with square connecting frame
- Any mounting position with respect to air flow direction in system
- Power is supplied through an external terminal box
- Smooth speed control with an external thyristor controller - available separately



AVIPF350	Octave-frequency band (Hz)								
Sound Power Level	GEN	63	125	250	500	1000	2000	4000	8000
LwA to Environment (dBA)	70	61	62	64	63	63	58	56	52
AVIPF400	Octave-frequency band (Hz)								
Sound Power Level	GEN	63	125	250	500	1000	2000	4000	8000
LwA to Environment (dBA)	75	66	68	66	69	67	65	61	56



Tel: **+44 (0)117 923 5375**
 Email: enquiries@addvent.co.uk