

# AVIPF300 Specification Sheet



## Technical Details

Construction	Steel Casing and Impeller
Rating	220-240V ~60Hz~AC 92W
IP Rating	IPX4
Class	Class I
Motor	4 Pole Single-phase external rotor motor with axial impeller Ball bearing motor for long life Integrated thermal protection with automatic restart
Maximum Operating Temperature	-30°C to 60°C
Approvals	CE, ErP 2015
Warranty	5 Years Exchange
Country of Origin	UK
Manufacturer	Addvent

## Product Description

AVIPF300 Industrial Plate Fan

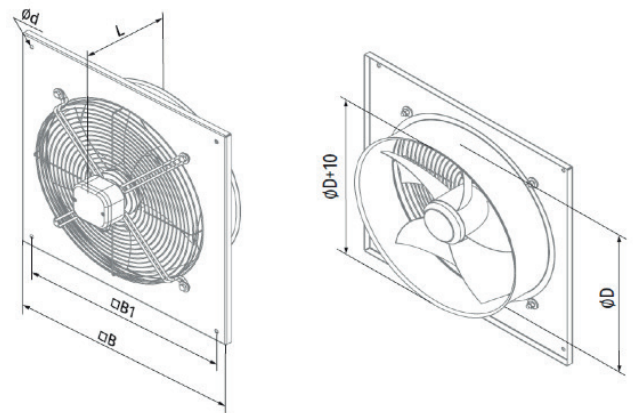
## Key Features

- Special Polymer coated atmospheric resistant coating to body and impeller
- Square mounting plate and round flange to facilitate wall mounting
- External terminal box for ease of installation
- Speed Controllers available
- Direct Air Extract
- Supply and extract ventilation systems installed in various premises

## Models

Model No.	Product Description
AVIPF300	300mm Metal Industrial Plate Fan

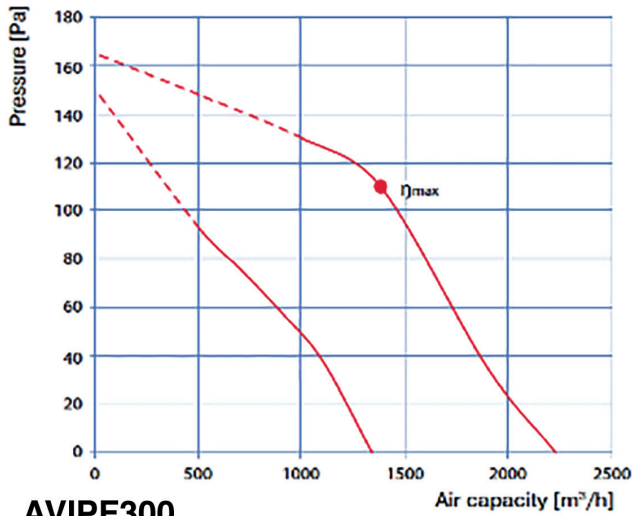
## Dimensions



	B	BI	ØD	Ød	L
AVIPF300	430	380	326	9	195

### Performance Details

Performance	m <sup>3</sup> /hr	l/s	dB(A) @ 3m	Power (W)
AVIPF300	1475	410	45	92



### Additional Information

- Wall surface mounting with square connecting frame
- Any mounting position with respect to air flow direction in system
- Power is supplied through an external terminal box
- Smooth speed control with an external thyristor controller - available separately

AVIPF300	Octave-frequency band (Hz)								
Sound Power Level	GEN	63	125	250	500	1000	2000	4000	8000
LwA to Environment (dBA)	67	59	57	59	57	55	53	52	49