

AVIPF250 Specification Sheet



Technical Details

Construction	Steel Casing and Impeller
Rating	220-240V ~60Hz~AC 56W
IP Rating	IPX4
Class	Class I
Motor	4 Pole Single-phase external rotor motor with axial impeller Ball bearing motor for long life Integrated thermal protection with automatic restart
Maximum Operating Temperature	-30°C to 60°C
Approvals	CE, ErP 2015
Warranty	5 Years Exchange
Country of Origin	UK
Manufacturer	Addvent

Product Description

AVIPF250 Industrial Plate Fan

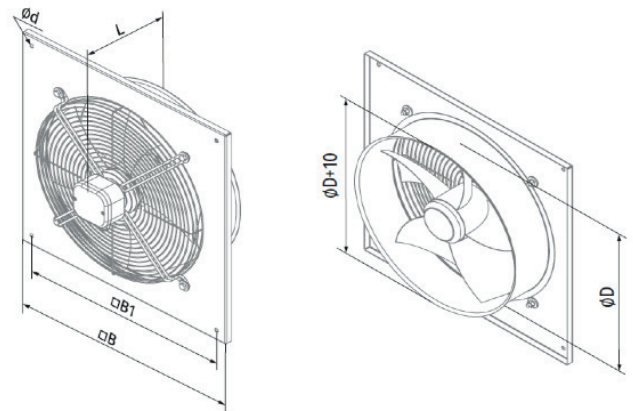
Key Features

- Special Polymer coated atmospheric resistant coating to body and impeller
- Square mounting plate and round flange to facilitate wall mounting
- External terminal box for ease of installation
- Speed Controllers available
- Direct Air Extract
- Supply and extract ventilation systems installed in various premises

Models

Model No.	Product Description
AVIPF250	250mm Metal Industrial Plate Fan

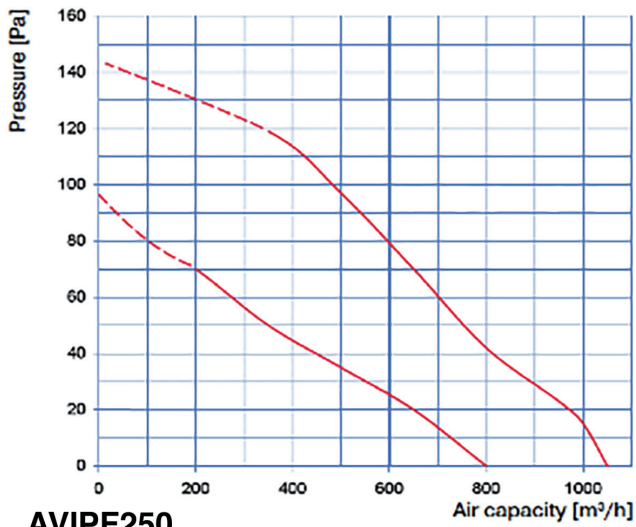
Dimensions



	B	BI	ØD	Ød	L
AVIPF250	370	320	260	7	155

Performance Details

Performance	m ³ /hr	l/s	dB(A) @ 3m	Power (W)
AVIPF250	865	240	39	56



Additional Information

- Wall surface mounting with square connecting frame
- Any mounting position with respect to air flow direction in system
- Power is supplied through an external terminal box
- Smooth speed control with an external thyristor controller - available separately

AVIPF250

Octave-frequency band (Hz)

	GEN	63	125	250	500	1000	2000	4000	8000
Sound Power Level		63	125	250	500	1000	2000	4000	8000
LwA to Environment (dBA)	60	52	50	52	53	52	52	44	43



Tel: **+44 (0)117 923 5375**
 Email: enquiries@addvent.co.uk