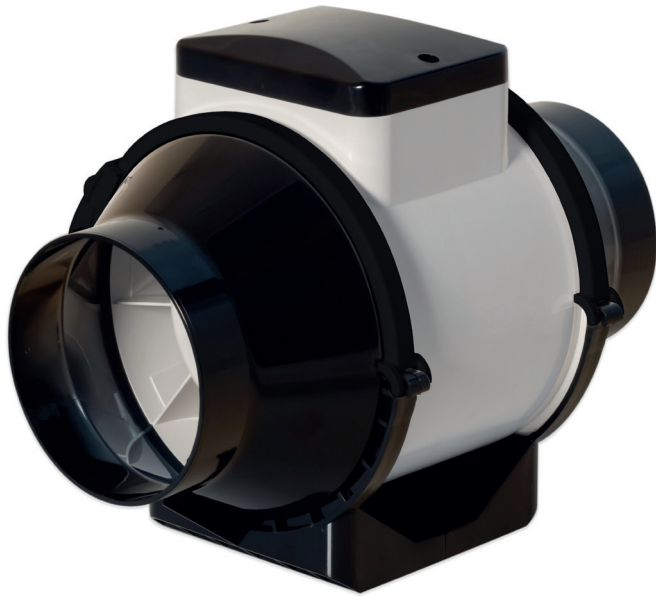


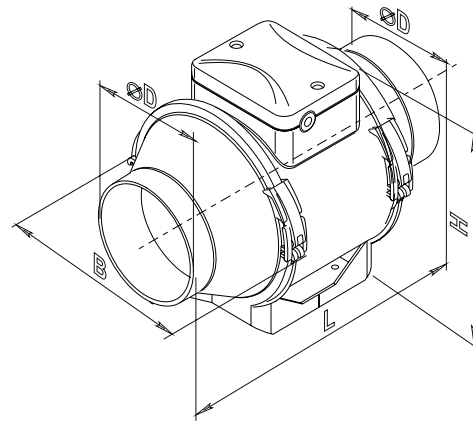
Addvent 125mm Compact Inline Mixed Flow Fan Specification Sheet



Key Features

- Compact low-profile design
- Designed for applications that require high air flows, with low relative noise
- Part F Compliant
- Mountable in a variety of applications and positions
- For use with either rigid or flexible ducting
- High quality ball bearing, long life motors and continuously rated
- 2 speed settings
- Easy installation and maintenance with removable central section

Dimensions



Technical Details	
Construction	Low-Flammable Polypropylene
Rating	230V
IP Rating	IPX4
Max Operating Temperature	40°C
Class	Double Insulated
Motor	2-speed German Ball Bearing motor AC
Approvals	UKCA, CE
Warranty	5 Years Exchange
Country of Origin	UK
Manufacturer	Addvent

Product	ØD	B	H	L
AVCIMF125SC	123	167	190	246
AVCIMF125TC	123	167	190	246

Options

Model Modifications	S	T
Standard	●	-
Timer	-	●

Standard (S)	Standard Model for Remote Switching
Timer (T)	Adjustable from 2 to 30 minutes

Models	
Model No.	Product Description
AVCIMF125SC	125mm Compact Inline Mixed Flow Fan Standard Model
AVCIMF125TC	125mm Compact Inline Mixed Flow Fan with Timer Model

LinkedIn

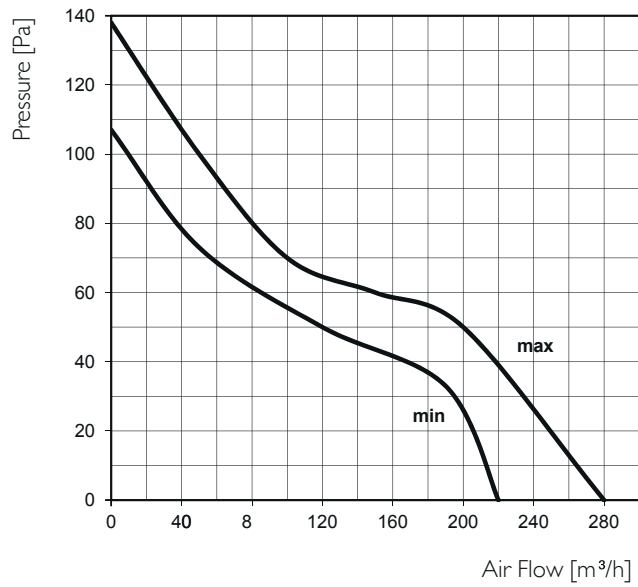


Tel: +44 (0)117 938 6402
Email: enquiries@addvent.co.uk

Performance Details

Product	Speeds	Airflow		Power (W)	SFP (W/l/s)*	Sound Level dB(A) @3m
		l/s*	m ³ / hr*			
AVCIMF125SC	High	79	283	37	0.468	37
	Low	62	222	23	0.370	28
AVCIMF125TC	High	79	283	37	0.468	37
	Low	62	222	23	0.370	28

*± 1%



Installation Information

Inline Mountable

Additional Information

Weight (kg) | 1.35

