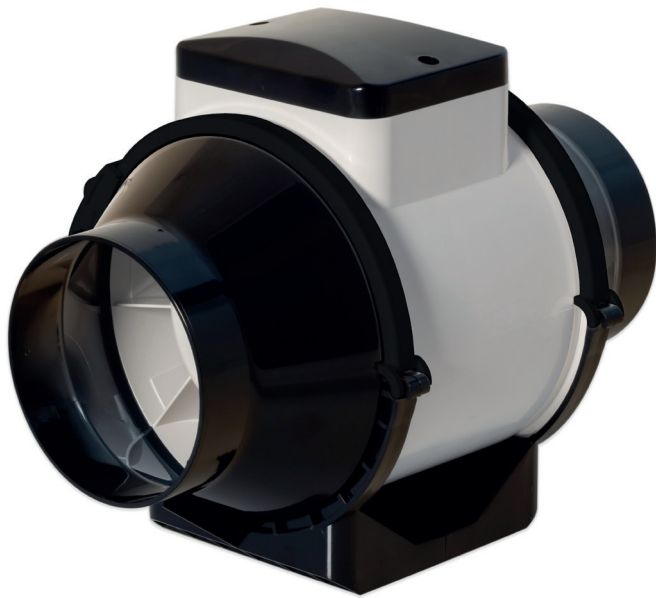


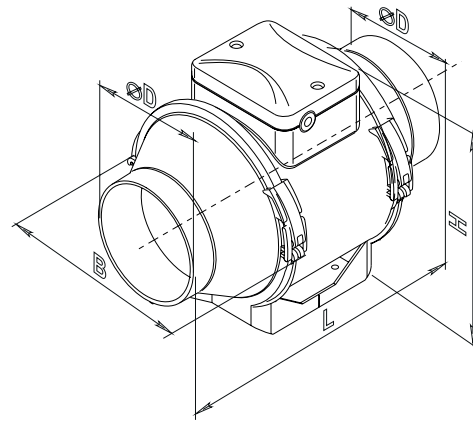
Addvent 100mm Compact Inline Mixed Flow Fan Specification Sheet



Key Features

- Compact low-profile design
- Designed for applications that require high air flows, with low relative noise
- Part F Compliant
- Mountable in a variety of applications and positions
- For use with either rigid or flexible ducting
- High quality ball bearing, long life motors and continuously rated
- 2 speed settings
- Easy installation and maintenance with removable central section

Dimensions



Product	ØD	B	H	L
AVCIMF100SC	96	167	190	246
AVCIMF100TC	96	167	190	246

Technical Details

Construction	Low-Flammable Polypropylene
Rating	230V
IP Rating	IPX4
Max Operating Temperature	40°C
Class	Double Insulated
Motor	2-speed German Ball Bearing motor AC
Approvals	UKCA, CE
Warranty	5 Years Exchange
Country of Origin	UK
Manufacturer	Addvent

Options

Model Modifications	S	T
Standard	●	-
Timer	-	●

Standard (S)	Standard Model for Remote Switching
Timer (T)	Adjustable from 2 to 30 minutes

Models

Model No.	Product Description
AVCIMF100SC	100mm Compact Inline Mixed Flow Fan Standard Model
AVCIMF100TC	100mm Compact Inline Mixed Flow Fan Timer Model

LinkedIn

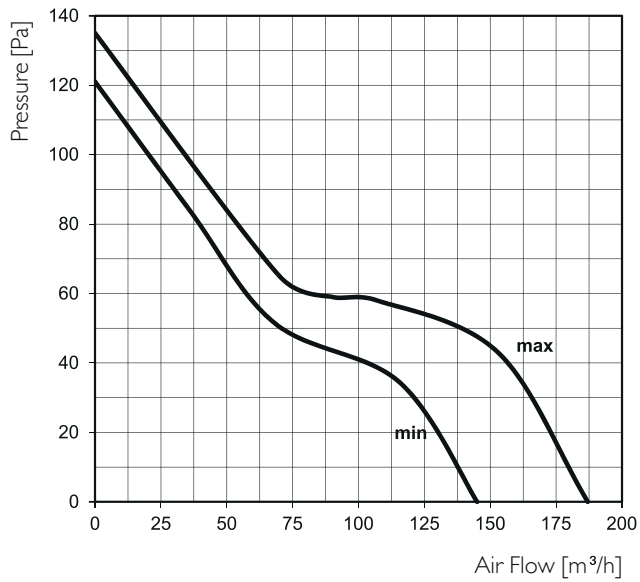


Tel: +44 (0)117 938 6402
Email: enquiries@addvent.co.uk

Performance Details

Product	Speeds	Airflow		Power (W)	SFP (W/l/s)*	Sound Level dB(A) @3m
		l/s*	m ³ / hr*			
AVCIMF100SC	High	53	189	33	0.622	36
	Low	41	146	21	0.512	27
AVCIMF100TC	High	53	189	33	0.622	36
	Low	41	146	21	0.512	27

*± 1%



Installation Information

Inline Mountable

Additional Information

Weight (kg) | 1.45

