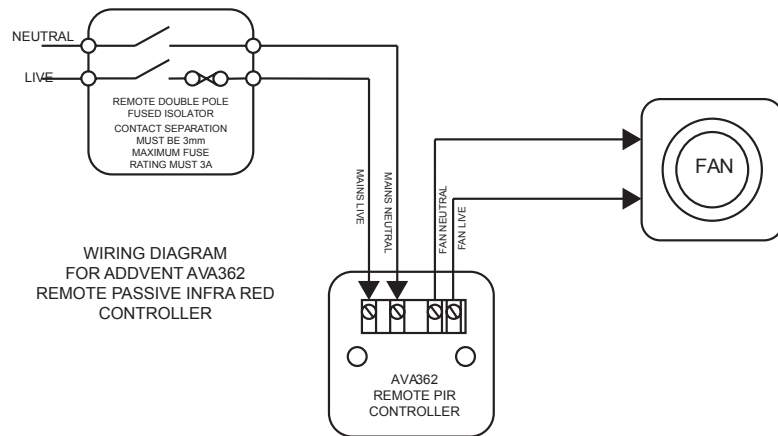


Installation Instructions for the Addvent AVA362 Remote P.I.R Fan Timer Control

The Addvent Remote P.I.R Fan Timer Control is suitable for use with any single or combination of fans, providing the total electrical load is not more than 200W or less than 20W. This control unit contains a run timer activated by a passive infra-red (P.I.R) detector. Typically, this would be used in a changing room or bathroom to provide forced ventilation during the entire time the room is occupied and continuing for a set period after the room is vacated.

The timer is user adjustable to provide a run-on period of between approximately 1 – 40 minutes.

- Please read and thoroughly understand these instructions before starting work.
- **IMPORTANT:** A double pole switched and fused spur must be used, having a contact separation of at least 3mm in all poles, and a fuse rated at 3A. The fused spur isolator must be mounted outside of any room containing the shower or bath. The AVA362 Remote P.I.R Fan Timer Control must be installed outside of any shower cubicle and sufficiently remote from any bath or sink unit that water is not splashed onto the unit. It must not be accessible to any person using either the shower or bath. All wiring must be fixed securely. The conductors must have a minimum of 1 square millimetre cross section. All wiring must comply with current IEE regulations. Switch off mains supply before making any electrical connections.
- If in any doubt, please contact a qualified electrician.



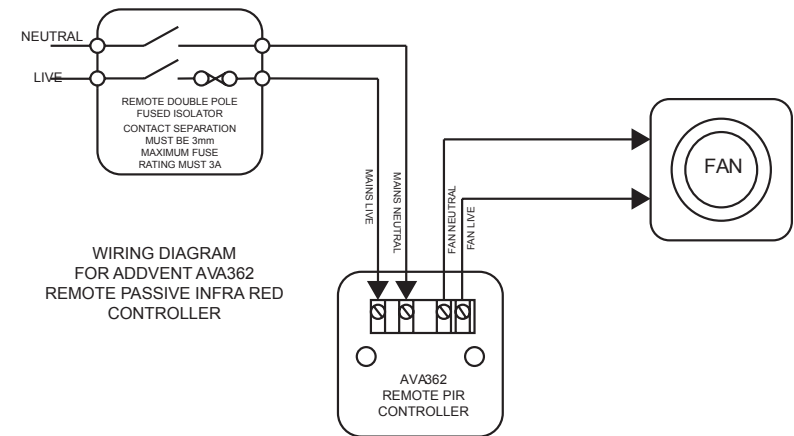
ADDVENT

Installation Instructions for the Addvent AVA362 Remote P.I.R Fan Timer Control

The Addvent Remote P.I.R Fan Timer Control is suitable for use with any single or combination of fans, providing the total electrical load is not more than 200W or less than 20W. This control unit contains a run timer activated by a passive infra-red (P.I.R) detector. Typically, this would be used in a changing room or bathroom to provide forced ventilation during the entire time the room is occupied and continuing for a set period after the room is vacated.

The timer is user adjustable to provide a run-on period of between approximately 1 – 40 minutes.

- Please read and thoroughly understand these instructions before starting work.
- **IMPORTANT:** A double pole switched and fused spur must be used, having a contact separation of at least 3mm in all poles, and a fuse rated at 3A. The fused spur isolator must be mounted outside of any room containing the shower or bath. The AVA362 Remote P.I.R Fan Timer Control must be installed outside of any shower cubicle and sufficiently remote from any bath or sink unit that water is not splashed onto the unit. It must not be accessible to any person using either the shower or bath. All wiring must be fixed securely. The conductors must have a minimum of 1 square millimetre cross section. All wiring must comply with current IEE regulations. Switch off mains supply before making any electrical connections.
- If in any doubt, please contact a qualified electrician.



ADDVENT