

Installation Instructions for Addvent 361 Remote Humidistat Fan Timer

Please read these instructions before installation.

Switch off mains supply before making any electrical connections, if you are in any doubt about the installation consult a qualified electrician. This appliance may be used by children aged from 8 years and above and persons with reduced physical, sensory, or mental capabilities or lack of experience and knowledge if they have been given supervision or instruction concerning the use of the appliance in a safe way and understand the hazards involved. Children shall not play with the appliance. Cleaning and user maintenance shall not be made by children without supervision.

Precautions must be taken to avoid the back-flow of gases into the room from the open flue of gas or other open-fire appliances when mounted in outside walls or windows.

This controller must be disconnected from electrical power before any maintenance or adjustment is carried out.

Thank you for choosing the Addvent AVA361 Remote Humidistat Fan Timer. These Instructions are included for your guidance.

The AVA361 Remote Humidistat Fan Timer is suitable for use with any single or combination of Addvent fans without shutters, providing the total electric load is not more than 200W. This control unit combines an over run timer activated by a switched live connection and an automatic humidistat.

- The timer is user adjustable to provide a full power run-on period between approximately 1 minute and 60 minutes.

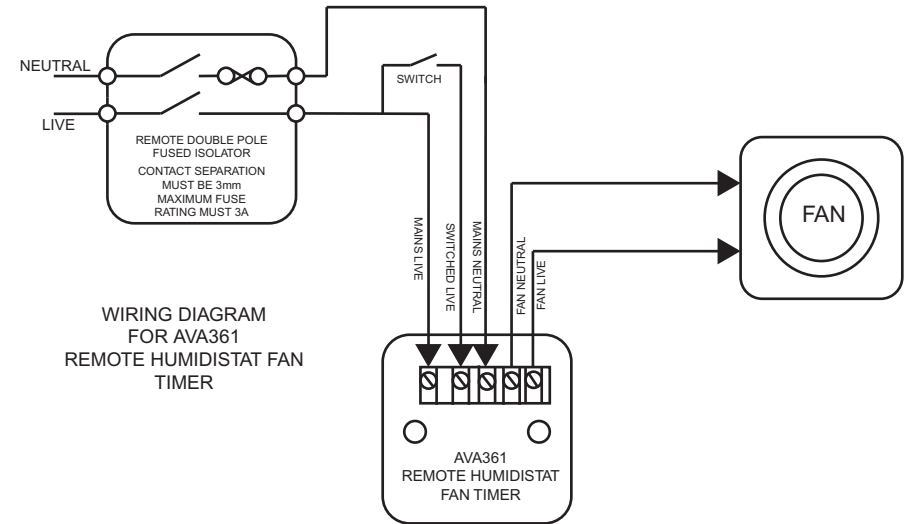
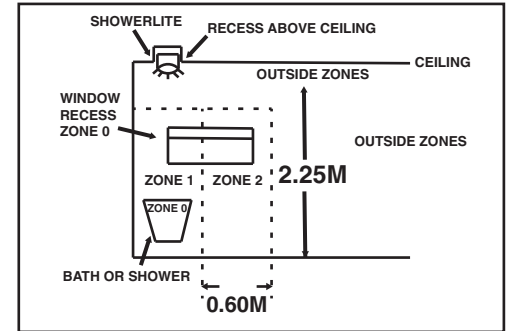
The automatic humidistat activates the extractor fan when the ambient humidity exceeds a user settable threshold.

- The humidity threshold is user adjustable between approximately 20% RH (always on) and 90% RH (rarely on)
- IMPORTANT:** A double pole switch must be used, having a contact separation of at least 3mm in all poles, and a fuse rated at 3A. All wiring must be fixed securely. The cable to the fan must have a minimum of 1 square millimetre cross section and should not exceed 2000mm in length, excessive length could possibly cause radio interference. All wiring must comply with current IEE regulations.

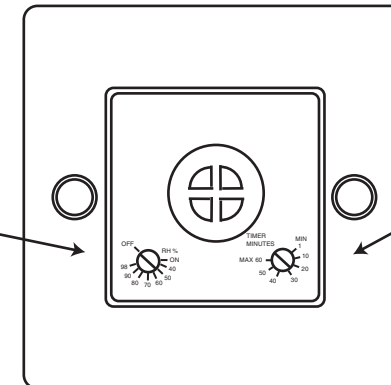
Switch off mains supply before making any electrical connections.

- IF IN ANY DOUBT PLEASE CONTACT A QUALIFIED ELECTRICIAN.

The remote humidistat must be installed outside zones 0, 1 and 2 - see diagram.



TO ADJUST LEVEL OF HUMIDITY ACTIVATION TURN ADJUSTER ANTI CLOCKWISE FOR ACTIVATION AT LOWER HUMIDITY LEVELS AND CLOCKWISE TO ACTIVATE AT HIGHER HUMIDITY LEVELS



TO ADJUST OVER-RUN TIME TURN ADJUSTER CLOCKWISE TO INCREASE TIME, ANTI - CLOCKWISE TO REDUCE TIME.

ADDVENT CE