

Installation Instructions for Addvent AVA 35 I Remote Fan Timer

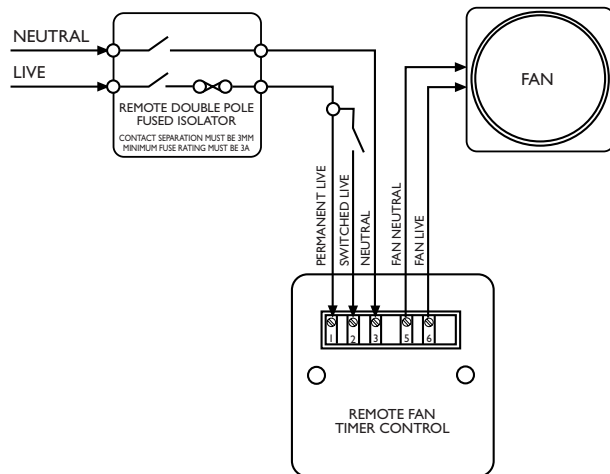
This unit can be used to control the run-on time of extractor fans, providing that the electrical load is not less than 20W or more than 200W.

The control is designed to fit a standard 68mm, 2 or 4 lug recessed wall box.

The timer adjustment control allows the user to adjust the length of the timer run-on, after the room light is extinguished.

Timer range – 1 to 60 minutes.

- Please read and thoroughly understand these instructions before commencing work.
- **IMPORTANT:** A double pole switched and fused spur must be used, having a contact separation of at least 3mm in all poles. Both the switched and fused spur isolator and the Addvent Fan Speed Control must only be installed outside any room containing the shower or bath. They must not be accessible to any person using either the shower or bath. All wiring should be fixed securely. The conductors should have a minimum of 1mm cross section. All wiring must comply with current IEE regulations. Switch off mains supply before making any electrical connections.
- If in any doubt please contact a qualified electrician.
- The wiring diagram below may be helpful.



CE

ADDVENT



Installation Instructions for Addvent AVA 35 I Remote Fan Timer

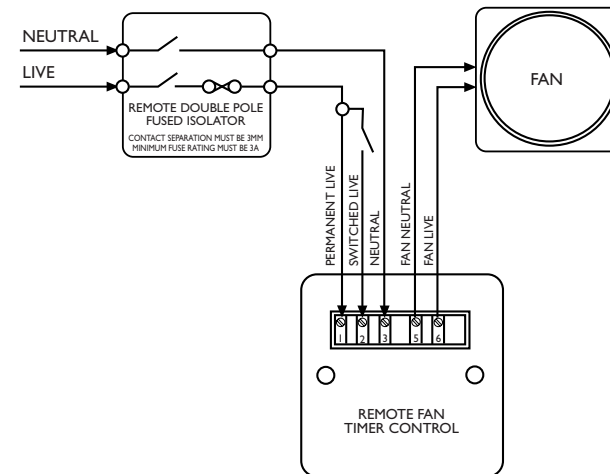
This unit can be used to control the run-on time of extractor fans, providing that the electrical load is not less than 20W or more than 200W.

The control is designed to fit a standard 68mm, 2 or 4 lug recessed wall box.

The timer adjustment control allows the user to adjust the length of the timer run-on, after the room light is extinguished.

Timer range – 1 to 60 minutes.

- Please read and thoroughly understand these instructions before commencing work.
- **IMPORTANT:** A double pole switched and fused spur must be used, having a contact separation of at least 3mm in all poles. Both the switched and fused spur isolator and the Addvent Fan Speed Control must only be installed outside any room containing the shower or bath. They must not be accessible to any person using either the shower or bath. All wiring should be fixed securely. The conductors should have a minimum of 1mm cross section. All wiring must comply with current IEE regulations. Switch off mains supply before making any electrical connections.
- If in any doubt please contact a qualified electrician.
- The wiring diagram below may be helpful.



CE

ADDVENT

