

Installation Instructions for the AVX PRO 150mm/230mm/300mm Window/Wall Fans

Installation in a Window

- 1 Cut the following hole size in the glass.

For AVXPRO 150 Series 184 mm Ø 7¹/₄"

For AVXPRO 230 Series 260 mm Ø 10¹/₄"

For AVXPRO 300 Series 320 mm Ø 12¹/₂"

This is best cut by a qualified glazier, alternatively, measure your window and get a new piece of glass with a pre-cut hole from your glass merchant and replace.

- 2 Remove external grille by gently levering the top out with two small screwdrivers and remove the three posidrive screws and separate the two halves. (See Diagram 1 & 2.)

Hold the fan in position over the hole on the inside of the window and then refit the four posidrive screws from the outside. Caution **DO NOT** overtighten these screws as it is possible that you might crack the glass. Then replace the external grille.

3 Electrical Connections

A double pole fused spur, having a contact separation of at least 3mm in all poles must be used and fitted with a 3 amp fuse, and must be sited outside any room containing a shower or fixed bath. They must not be accessible to a person using either the shower or bath.

Note: All wiring must be fixed securely and the cable to the fan should be minimum of 1mm² in section. All wiring must comply with current IEE Regulations. If in doubt call a qualified electrician.

Through Wall Fitting

- 4 Cut the following hole size through the wall.

For AVXPRO 150 Series 173mm Ø 6³/₄" use wall fixing kit AVA300

For AVXPRO 230 Series 255mm Ø 10" use wall fixing kit AVA295

For AVXPRO 300 Series 320mm Ø 12¹/₂" use wall fixing kit AVA299

Fit the aluminium flexible duct (supplied with the wall fixing kit available separately) making sure that there is a slight tilt to the outside in case any water gets in through the external grille, so that it will not run into the room. Then make good around the duct.

ADVENT Pro
PROFESSIONAL RANGE

5 Remove the rear grille and casing as described in Paragraph 2. Separate the external grille and remove the two hole plugs at the top and bottom of the grille chassis. Hold against the outside wall directly over the duct and drill and plug the fixing holes. Screw the grille chassis against the outside wall directly over the duct and drill and plug the fixing holes. Screw the grill chassis to the wall and refit the grille. It is important to make sure that the two fixing holes are one above the other to allow the lugs on the grille to fit properly into their slots right way up.

6 Remove the front grill by removing the 2 hole plugs concealing 2 fixing screws which secure the front grille assembly to the main chassis. Remove these screws then carefully separate the two halves.

Hold the body over the hole, first ensuring that the fan is level then mark four of the slot fixing holes available (one in each corner). Drill and plug these holes. Screw the fan to the wall and refit the front grille and replace screw caps.

7 Make the electrical connection as described in Paragraph 3.

If in doubt call a qualified electrician.

Note: Fan must be fitted a minimum of 2.3 metres from the floor.

Do not install within a shower cubicle or anywhere where there is a high risk of the fan being sprayed with water.

Airflow:

AVXPRO 150 Series 248m³h
AVXPRO 230 Series 750m³h
AVXPRO 300 Series 1500m³h

Ratings:

220-240V ~ 50Hz 45W
220-240V ~ 50Hz 100W
220-240V ~ 50Hz 120W



Diagram 1

External Grille

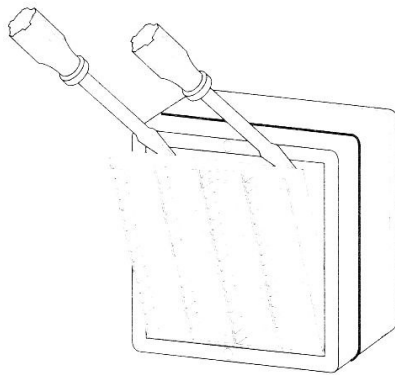


Diagram 2

Rear of Fan with Grille

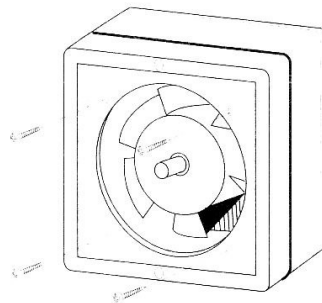
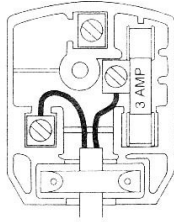


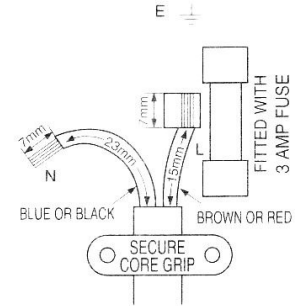
Diagram 2a Wiring Plug



Plug wiring details

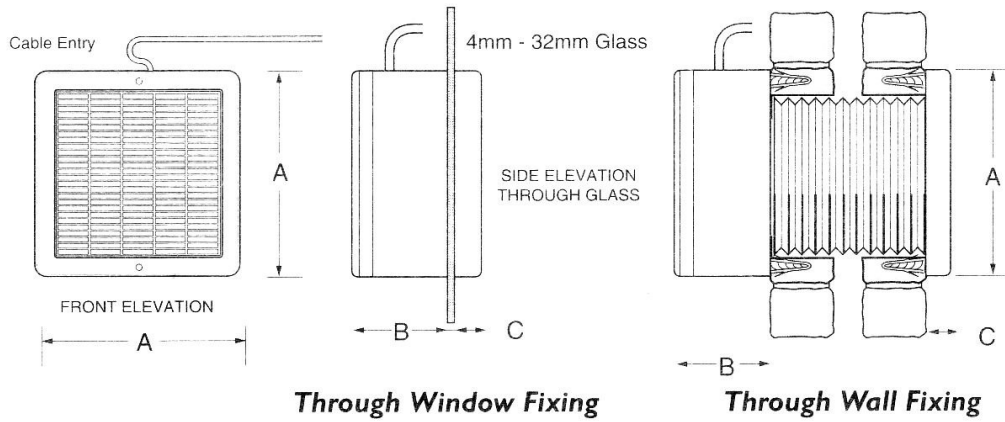
WARNING

At **NO** time must the live or Neutral wires be connected to the Earth terminal of a 3 pin plug.



Wire/trimming sizes

Diagram 3 Dimensions



Through Window Fixing

Through Wall Fixing

MODEL	A	B	C
AVXPRO 150APW/AW	203mm	120mm	23mm
AVXPRO 230WMP/WA	286mm	140mm	25mm
AVXPRO 300WMP/WA	362mm	160mm	29mm

Diagram 4 Exploded View

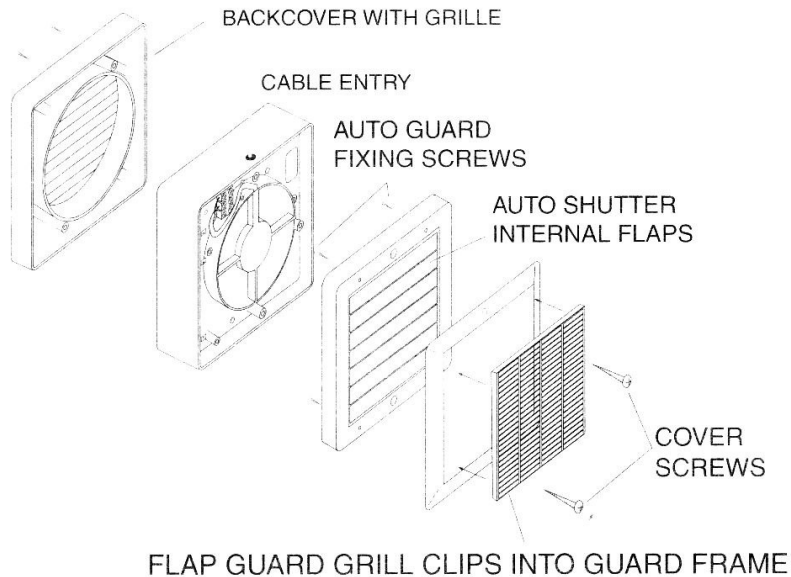


Diagram 5 Electrical Connections

WIRING FOR AVXPRO230 SERIES

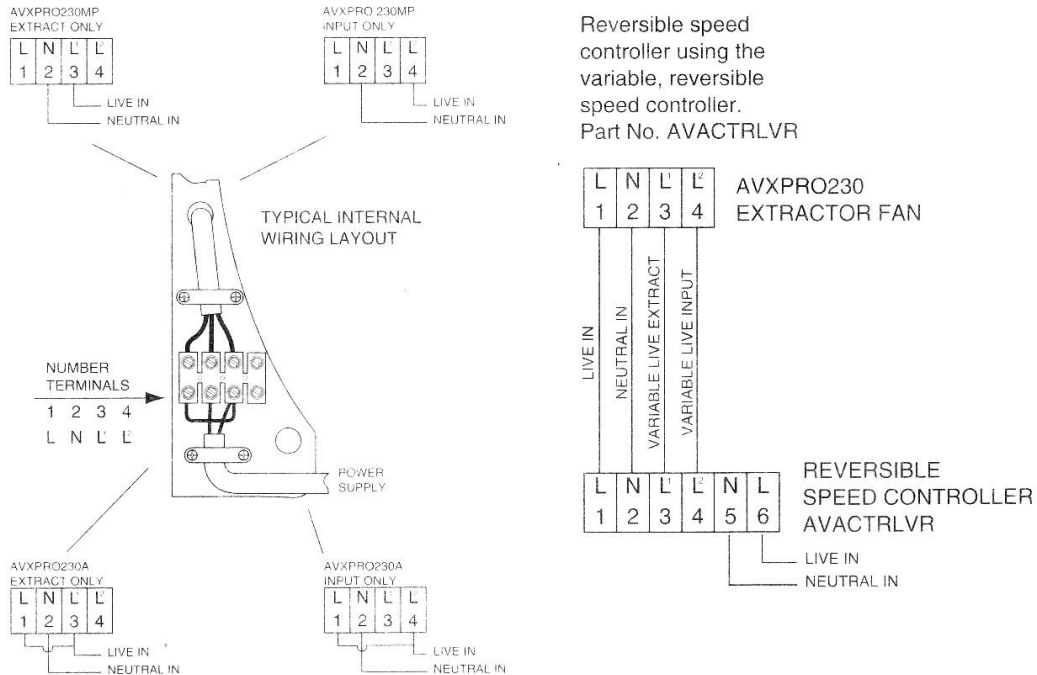
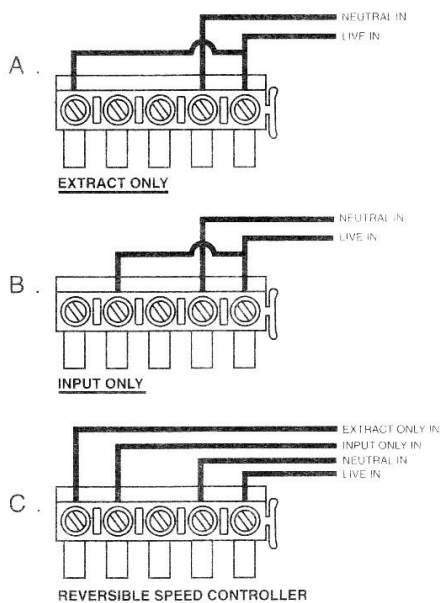


Diagram 6 Wiring Diagram For AVX PRO 300 Series

PLUG WIRING DIAGRAM



WIRING DIAGRAM

- DIAGRAM A EXTRACT ONLY**
ALL MODELS ARE PRE WIRED IN FACTORY TO EXTRACT ONLY. WHEN THE CABLE FROM THE SOCKET IS CONNECTED TO A FUSED SPUR OR PLUG SOCKET.
- DIAGRAM B INPUT ONLY**
TO CHANGE THE AIRFLOW DIRECTION REMOVE LINK FROM TERMINAL 1 IN THE PLUG AND CONNECT INTO TERMINAL 2
- DIAGRAM C REVERSIBLE SPEED CONTROLLER**
FOR THE AVX300 MODEL USING THE VARIABLE REVERSIBLE SPEED CONTROLLER PART NUMBER AVACTRLVR.

IMPORTANT

WHEN FITTING A SPEED CONTROLLER REMOVE BRIDGE WIRE FROM TERMINAL BLOCK

NOTE

THIS FAN IS DOUBLE INSULATOR, AND DOES NOT REQUIRE AN EARTH. THE EARTH TERMINAL IS PROVIDED FOR SPECIAL APPLICATIONS ONLY. ALWAYS SWITCH OFF MAINS. IF IN DOUBT CONTACT A QUALIFIED ELECTRICIAN.