

150mm Window Axial Fan Range Specification Sheet



Key Features

- 69 litres/sec (248m³/hr)
- Quiet in operation
- Window mounting

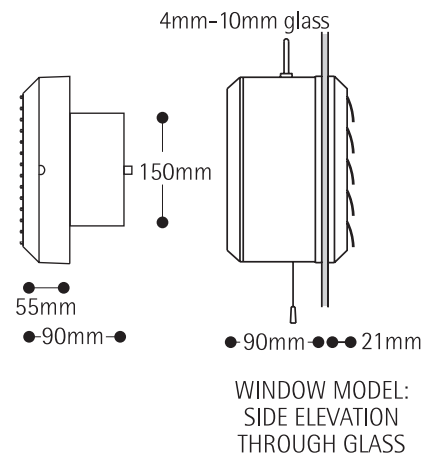
Models

Model No.	Product Description
AVX150AW	Auto Shutter Window Fan
AVX150APW	Auto Shutter Window Fan with Pull-cord
AVX150MP	Standard Window fan with Pull-cord

Technical Details

Construction	Impact resistant ABS thermoplastic
Rating	220-240V ~50Hz~AC 25W
IP Rating	IPX4
Class	Double Insulated <input type="checkbox"/>
Motor	Single-phase induction motor with pre-oiled bearings; All with thermal overload protection. Maximum operating Temperature 40°C
Approvals	BEAB, CE
Warranty	5 Years Exchange
Country of Origin	UK
Manufacturer	Addvent

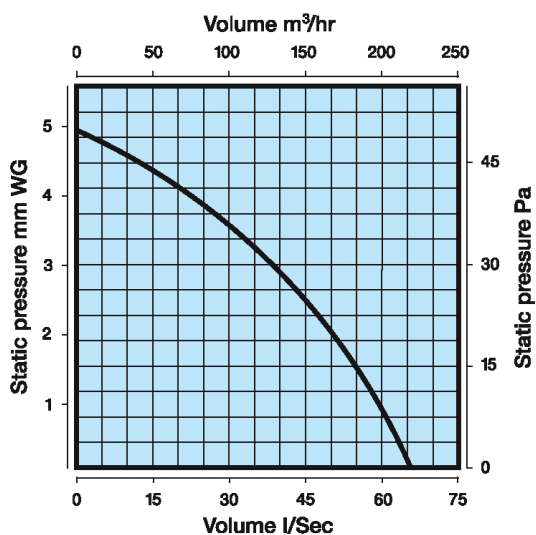
Dimensions



Dimension	A	B	ØC	D	E
AVC075	210	265	100	90	17

Performance Details

Specification	m ³ /Hr	l/s	dB(A) @ 2m	Power (W)
AVX150 Range	248	69	40	25



Additional Information

Wall Hole Size	184mmØ
----------------	--------

Installation Information

The AVX150 Window range can be installed on the window only.



Tel: +44 (0)117 923 5375
Email: enquiries@addvent.co.uk