

Installation Instructions for the AVX 150 Range 150mm (6") Extractor Fans

- Note:**
- (i) For best results this extractor fan should be fitted as high on the wall as possible, or if preferred, on the ceiling
 - (ii) Do not install the unit within a shower cubicle. Use our shower fans model No's AVX 100 IDS/AVX 100 IDT.
 - (iii) Switch off mains supply before making electrical connections. If in any doubt contact a qualified electrician.
 - (iv) This fan is double insulated and does not require an earth.
 - (v) When installing through an external wall an external wall grille must be fitted at all times.

1 Using the template provided, cut a 173mm (6^{3/4}") diameter hole in the wall. If the fan is to be fixed in the ceiling ensure that the hole is between the joists.

2 Fit 165mm (6^{1/2}") ducting flush to the plaster.

3 Remove the cover from the fan by removing the two small screw caps on the front cover and remove the two retaining Philips screws.

4 Hold the body of the fan against the wall or ceiling and mark the four screw holes and the cable entry.

IMPORTANT: Ensure that the fan is square on the wall or ceiling.

5 Bring power cable into position, as marked. Allow an extra 230mm (9") protruding to facilitate connection. The fan should be installed with fixed wiring – a flexible cord should not be used.

6 Wiring of Standard Model AVX 150 S/AVX 150 SA. Diagram 3

The fan can either be operated from a separate pullcord switch fitted to the ceiling of the room or can be connected to the light switch so that the fan will start when the light is switched on. A double pole fused spur having a contact separation of at least 3mm in all poles must be used and fitted with a 3amp fuse, and must be sited outside any room containing a shower or fixed bath. The fan must not be accessible to a person using either the shower or the bath.

ADDVENT

by Heatstore

7 Wiring of Pullcord Model AVX 150 P / AVX 150 PA *Diagram 4*

This model is not suitable for ceiling mounting

This fan has its own integral pullcord on/off switch. The cable from the fan must be connected to a double pole fused spur having a contact separation of at least 3mm in all poles must be used and fitted with a 3amp fuse, and must be sited outside any room containing a shower or fixed bath. The fan must not be accessible to a person using either the shower or the bath.

8 Wiring of Timer Model AVX 150 T / AVX 150 TA *Diagram 5.*

The fan can either be operated from a separate pullcord switch fitted to the ceiling of the room or can be connected to the light switch so that the fan will start when the light is switched on. A double pole fused spur having a contact separation of at least 3mm in all poles must be used and fitted with a 3amp fuse, and must be sited outside any room containing a shower or fixed bath. The fan must not be accessible to a person using either the shower or the bath.

For timer adjustment see *Diagram 1* (min – 30 secs; max – 30 mins)

9 Wiring of Humidity Model AVX 150 H / AVX 150 HA *Diagram 6.*

For the fan to operate as a normal time delay unit with humidity override i.e. when connected with a switched live coming from the light switch into the fan, the fan will operate when the light is switched on, and switch off after about 20 seconds – 15 mins (timer is pre-set for the minimum). However, should the humidity in the room reach about 75%, which will happen if the shower is run or the bath filled with hot water, the fan will switch on and keep running until the humidity has been reduced to a normal level, about 65%. (Humidity is adjustable). Connect to the electrical supply as follows:

Time delay and humidity over-ride operation–

Terminal 1	Permanent Live Supply
Terminal 2	Permanent Neutral In
Terminal 3	Switched Live In

For humidity adjustment see *Diagram 2* (min – 45%; max – 95%).

10 Wiring of Humidity Pull Cord Model AVX 150 HP / AVX 150 HPA

This model is not suitable for ceiling mounting

This model is as the AVX 150 H but with its own pull cord switch and neon light power indicator and should be installed as Model AVX 150 P and does not require a switched live power supply. A double pole fused spur having a contact separation of at least 3mm in all poles must be used and fitted with a 3amp fuse, and must be sited outside any room containing a shower or fixed bath. The fan must not be accessible to a person using either the shower or the bath.

Note: All wiring must be fixed securely and the cable to the fan should be a minimum of 1 mm² in section. All wiring must comply with current IEE Regulations.

Note: T, Max 40°C
Rated: 220-240V ~50Hz 25W □



Diagram 1 Timer Adjustment for AVX 150 T / AVX 150 TA

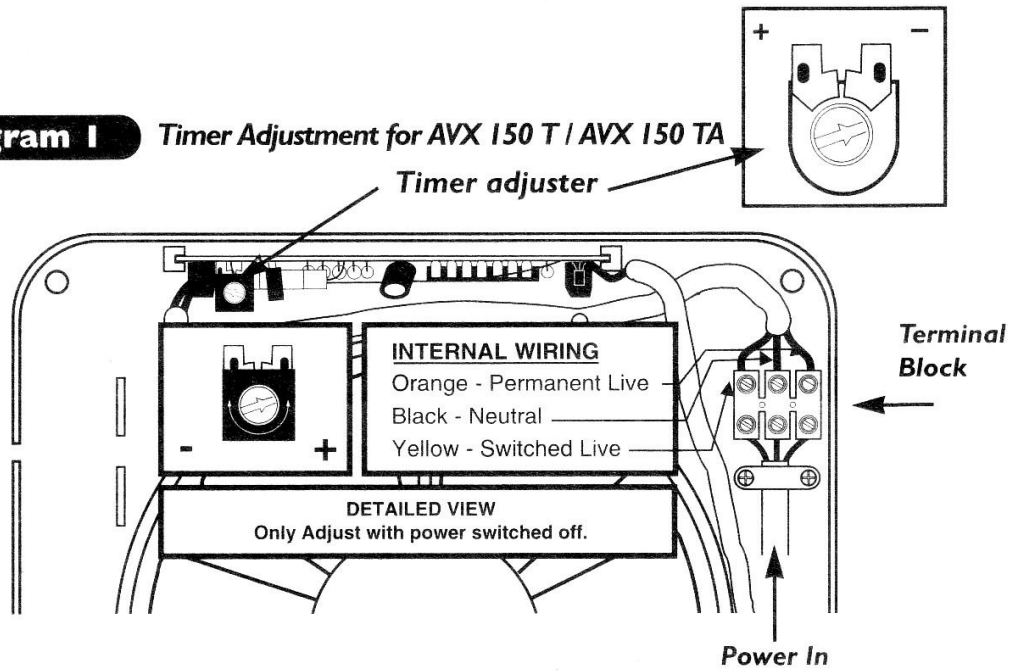


Diagram 2 Humidity and Timer Adjustment for AVX 150 H / AVX 150 HA

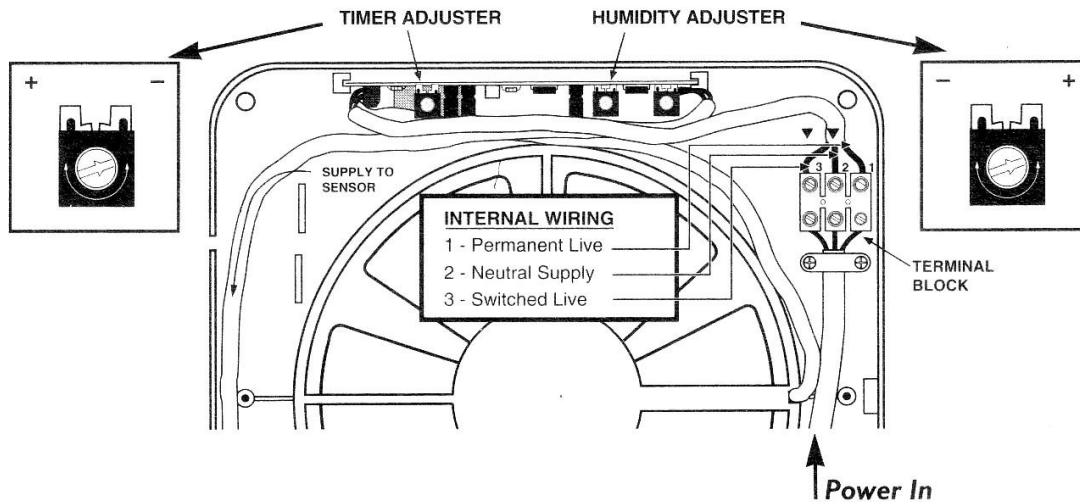


Diagram 3 AVX 150 S / AVX 150 A

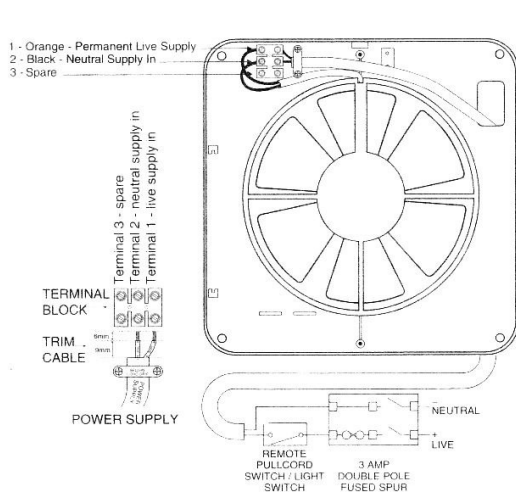


Diagram 4 AVX 150 P / AVX 150 PA

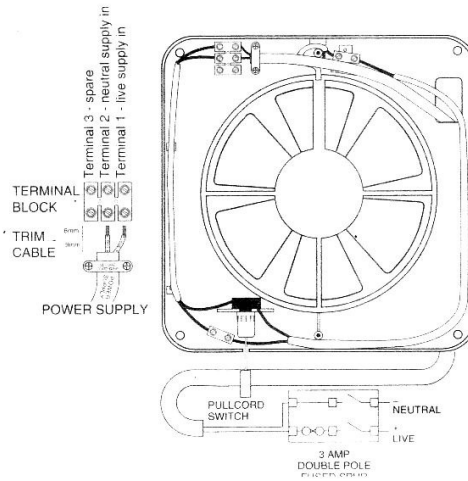


Diagram 5 AVX 150 T / AVX 150 AT

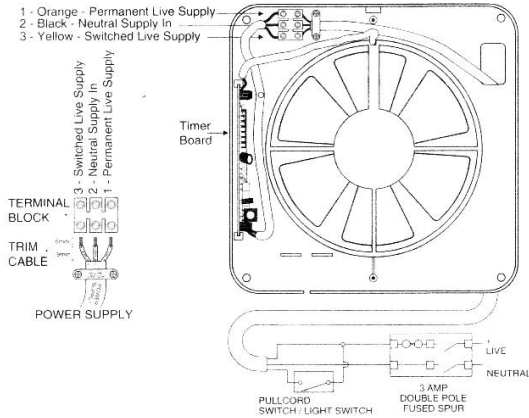


Diagram 6 AVX 150 H / AVX 150 HA

