

I50MM Addvent Specification Sheet



Key Features

- From just 33dB
- For use in Zone I IP45
- No transformer required
- Complies with part L and part F of the building regulations
- Low energy consumption: from only 19W
- Standard, timer, pull-cord, humidity control options
- Specially designed mixed-flow impeller ensures high airflow and low noise level
- Built-in anti-vibration mounting to further reduce noise
- Built in backdraft shutter
- SFP 0.215w/l/s
- 5 Year Exchange Warranty
- Casing and impeller made of quality durable UV resistant plastic.

Technical Details

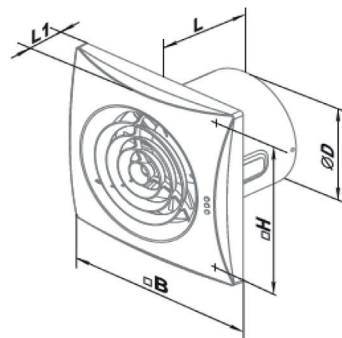
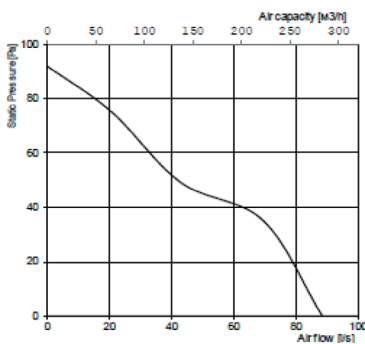
Construction	UV-Resistant Plastic
Rating	230
IP Rating	IP45
Class	Double Insulated
Motor	AC
Max Operating Temp	40°C
Approvals	CE
Warranty	5 Years Exchange
Country of Origin	UK
Manufacturer	Addvent

Performance Details

Product	m ³ /hr	L/S	d(B)A	W	SPF	V	A
AVX150Z	318	88	33	19	0.215	230	0,09

Installation Information

Wall & *Ceiling mountable
*Pullcord model wall mount only



Models

Model No.	Product Description
AVX150ZS	Zone I Fan Standard
AVX150ZT	Zone I Fan With Timer
AVX150ZH	Zone I Fan Fan With Humidity Timer
AVX150ZP	Zone I Fan With Pullcord

Options

Model Modification	S	T	H
Standard	✓		
Run-On Timer		✓	
Humidity Sensor		✓	✓

Standard	No controls
Run-on timer - adjustable from 2 to 30 minutes	Run-on timer - adjustable from 2 to 30 minutes
Humidity sensor - adjustable from 60% to 90% RH.	Humidity sensor - adjustable from 60% to 90% RH.

Dimensions

Dimensions MM	ØD	B	H	L	LI
	147.5	214	190	111	31

Additional Information

Optional Extras	Description
AVA014	150mm Chrome Grille



Tel: **+44 (0)117 923 5375**
Email: enquiries@addvent.co.uk