

AVXI20 Range Specification Sheet

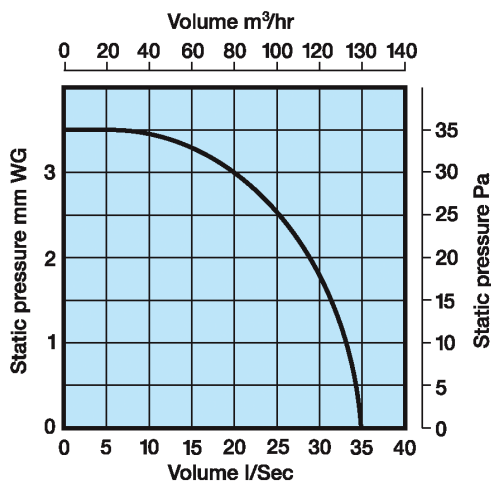


Technical Details

Construction	Impact resistant ABS thermoplastic
Rating	220-240V ~50Hz ~AC 20W
IP Rating	IPX4
Class	Double Insulated <input type="checkbox"/>
Motor	Single-phase induction motor with pre-oiled bearings; All with thermal overload protection Maximum operating Temperature 40°C
Approvals	BEAB, CE
Warranty	5 Years Exchange
Country of Origin	UK
Manufacturer	Addvent

Performance Details

Specification	m ³ /Hr	l/s	Pressure (pa) Max	dB(A) @ 2m	Power (W)
Low Energy Range	130	396	35	41	20



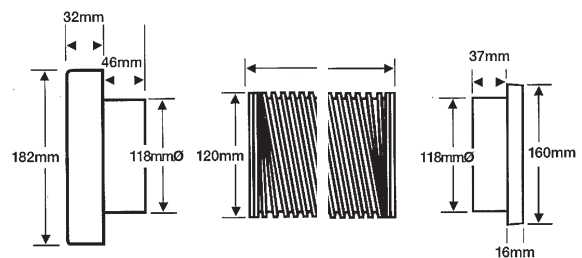
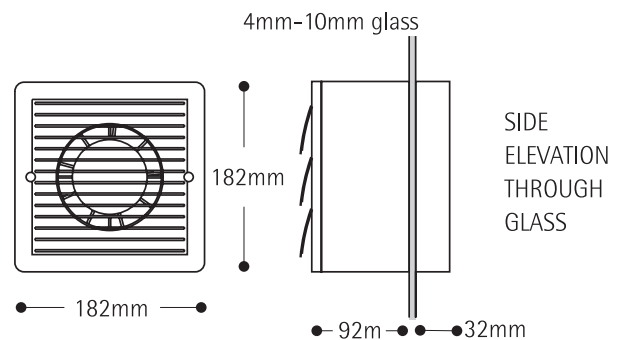
Key Features

- 36 litres/sec (130m³/hr)
- Quiet in Operation
- Wall, Ceiling and Window Models
- Suitable for wall ceiling installations

Models

Model No.	Product Description
AVXI20SN	Enhance Ultra Quiet Fan with over run timer
AVXI20SAN	Humidistat Version of above
AVXI20PN	Pull cord version of AVXI20SN
AVXI20PAN	Auto Shutter version of Above
AVXI20TN	Timer model with integrated overrun timer: 1-20 mins
AVXI20TAN	Auto Shutter Version of Above
AVXI20WPN	Window Pull cord Model
AVXI20WPAN	Auto Shutter Version of above

Dimensions



Additional Information

Wall Hole Size	112mm Ø
Window Hole Size	140-150mm Ø



Tel: +44 (0)117 923 5375
Email: enquiries@addvent.co.uk