

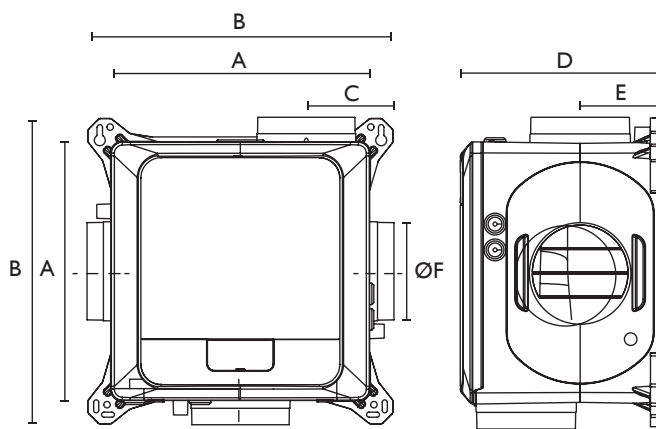
# AVWH2X Specification Sheet



## Technical Details

Rating	220-240v
IP Rating	IPX2
Class	Double Insulated
Motor	DC
Max Operating Temperature	40°C
Min Operating Temperature	-20°C
Approvals	CE, UKCA
Warranty	5 Years Exchange
Country of Origin	UK
Manufacturer	Addvent

## Dimensions



## Dimensions

A	B	C	D	E	ØF	Weight
330	391	111	248	96	125	4.10kg

## Key Features

- Low carbon footprint.
- Recognised in SAP PCDB (Appendix Q)
- Fitted with four extract 125 diameter spigots allowing quick connection to ducts.
- Fitted with a condensate drain for wet areas.
- Option of wall, ceiling and loft mounting.
- Can extract from several rooms, depending on the dwelling.
- Improved controllability.

With the growing concerns about over ventilating properties, the Multispeed AVWH2X offers the option of 'Close Control' both in the residential and the commercial sectors. With a DC motor that can be set to ventilate any area up to 118 l/s, the AVWH2X is one of the most efficient central extract units in the UK.

The unit has 3 fully variable speeds: normal, boost and purge. The digital display allows accurate setting of airflow, ensuring exactly the right ventilation rate. Accurate speed control helps minimise noise and energy consumption.

Meets the building regulations document (F1) for continuous running.

- Toilets 6l/s,
- Bathrooms 8l/s
- Utility rooms 8l/s
- Kitchens 13l/s

## Sound Levels

Published dB(A) figures are free field sound levels at 3m with spherical propagation at a reference level of  $2 \times 10^{-5}$  Pa. The free field sound power level spectra figures are dB with reference of 10-12 Watts.

## Installation

The unit can be installed either horizontally or vertically.

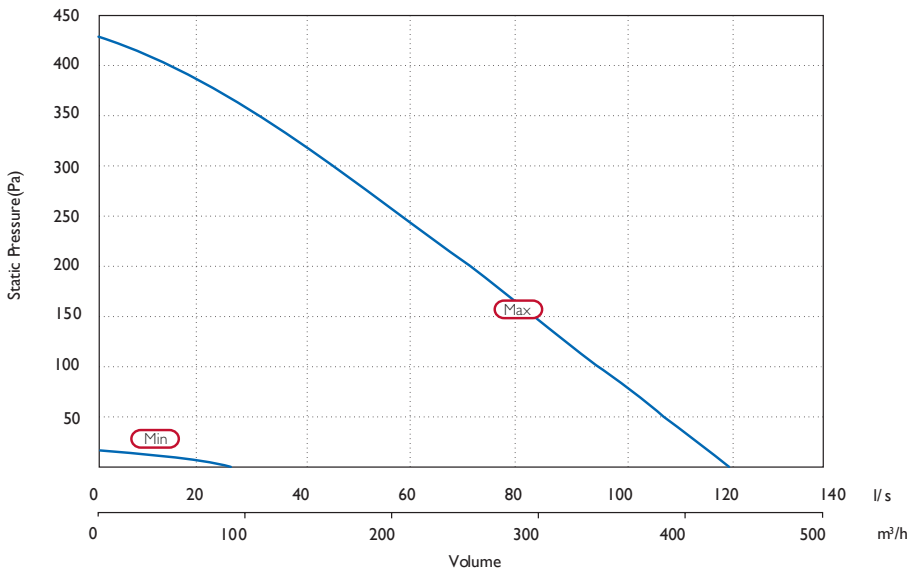


Tel: +44 (0)117 938 6402

Email: enquiries@addvent.co.uk

## Performance Details

Product	Air Flow		Sound Level	Power	SPF
	m <sup>3</sup> /Hr	l/s	dB(A) @ 3m	(W)	W/l/s
AVWH2X	87	24	13	2	0.15
	425	118	37	44	0.37



Model	Min				Max					SEC Class (inc. LDC)
	Casing Breakout dB(A) @ 3m	Inlet Duct dB(A)	FID l/s	Power Watts	Casing Breakout dB(A) @ 3m	Inlet Duct dB(A)	FID l/s	Power Watts		
AVWH2X	13	18	24	2	37	40	118	44	B	

## SAP PCDB Test Results

Exhaust Terminal	Total	
Configuration	Flow Rate (l/s)	SFP (W/l/s)
K + 1	21	0.15
K + 2	29	0.14
K + 3	37	0.16
K + 4	45	0.18
K + 5	53	0.21
K + 6	61	0.26



Tel: +44 (0)117 938 6402  
Email: enquiries@addvent.co.uk