

Installation Instructions for the AVC 110 Range 100mm (4") Centrifugal Extractor Fans

- Note:**
- (i) For best results this extractor fan should be fitted as high on the wall as possible, or if preferred, on the ceiling
 - (ii) Do not install the unit within a shower cubicle. Use our shower fans model No's AVX100 IDS/AVX100 IDT.
 - (iii) Switch off mains supply before making electrical connections. If in any doubt contact a qualified electrician.
 - (iv) This fan is double insulated and does not require an earth.
 - (v) When installing through an external wall an external wall grille must be fitted at all times.

1 Using the template provided, cut a 112mm (4¹/₄") minimum diameter hole in the wall. If the fan is to be fixed in the ceiling ensure that the hole is between the joists.

2 Fit 100mm (4") [internal diameter] ducting flush to the plaster.

3 Remove the cover from the fan by removing the two small screw caps on the front cover and remove the two retaining Philips screws.

4 Using the template, mark the four screw holes and the cable entry.

IMPORTANT: Ensure that the fan is square on the wall or ceiling.

5 Bring power cable into position, as marked. Allow an extra 300mm (12") protruding to facilitate connection

6 Wiring of Standard Model AVC 110 S See Diagram 1

The fan can either be operated from a separate pullcord switch fitted to the ceiling of the room or can be connected to the light switch so that the fan will start when the light is switched on. A double pole fused spur having a contact separation of at least 3mm in all poles must be used and fitted with a 3amp fuse, and must be sited outside any room containing a shower or fixed bath. The fan must be accessible to a person using either the shower or the bath.

ADDVENT

7 Wiring of Pullcord Model AVC 110 P. See Diagram 2

This model is not suitable for ceiling mounting

This fan has its own integral pullcord on/off switch. The cable from the fan must be connected to a double pole fused spur having a contact separation of at least 3mm in all poles must be used and fitted with a 3amp fuse, and must be sited outside any room containing a shower or fixed bath. The fan must not be accessible to a person using either the shower or the bath.

8 Wiring of Timer Model AVC 110 T. See Diagram 3

The fan can either be operated from a separate pullcord switch fitted to the ceiling of the room or can be connected to the light switch so that the fan will start when the light is switched on. A double pole fused spur having a contact separation of at least 3mm in all poles must be used and fitted with a 3amp fuse, and must be sited outside any room containing a shower or fixed bath. The fan must not be accessible to a person using either the shower or the bath. Timer adjustable: 1–20 mins. See Diagram 3A.

9 Wiring of Humidity Model AVC 110 H. See Diagram 4

For the fan to operate as a normal time delay unit with humidity override i.e. when connected with a switched live coming from the light switch into the fan, the fan will operate when the light is switched on, and switch off after about 1 – 20 mins (timer is pre-set). However, should the humidity in the room reach about 75%, which will happen if the shower is run or the bath filled with hot water, the fan will switch on and keep running until the humidity has been reduced to a normal level, about 65%.

(Humidity is adjustable) See Diagram 4A.

10 Wiring of Humidity Pull Cord Model AVC 110 HP. See Diagram 5

This model is not suitable for ceiling mounting

This model is as the AVC 110 H but with its own pull cord switch and neon light power indicator and should be installed as Model AVC 110 P and does not require a switched live power supply. A double pole fused spur having a contact separation of at least 3mm in all poles must be used and fitted with a 3amp fuse, and must be sited outside any room containing a shower or fixed bath. The fan must not be accessible to a person using either the shower or the bath.

All wiring must comply with current IEE Regulations. If in any doubt call a qualified electrician.

Note: All wiring must be fixed securely and the cable to the fan should be a minimum of 1mm² in section. All wiring must comply with current IEE Regulations.

Note: Fan must be fitted a minimum of 2.2 metres from the floor.

Maximum Operating Temperature: 40°C



Dimensions of the AVC 110 Range

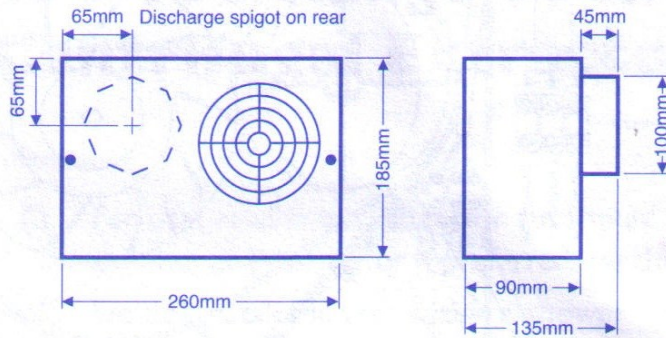


Diagram 1 AVC 110 S

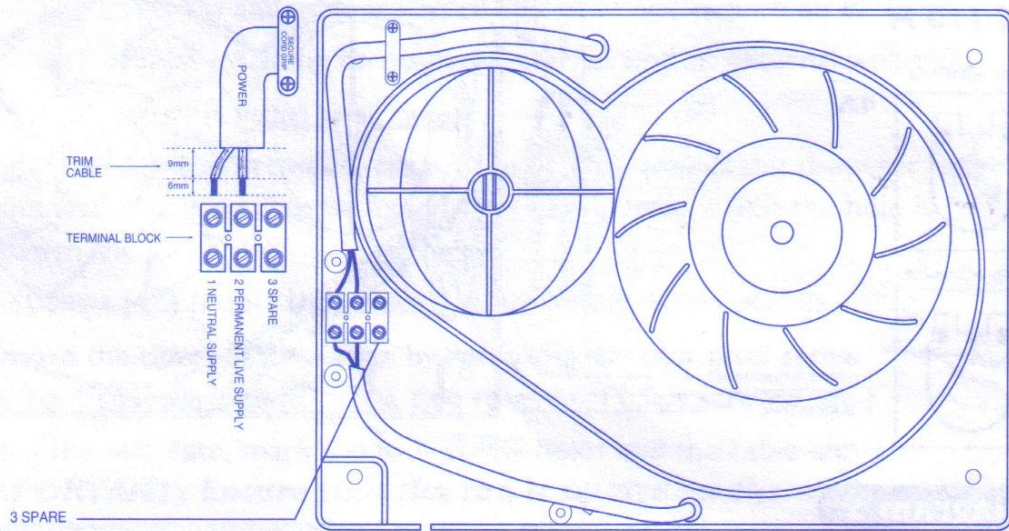


Diagram 2 AVC 110 P

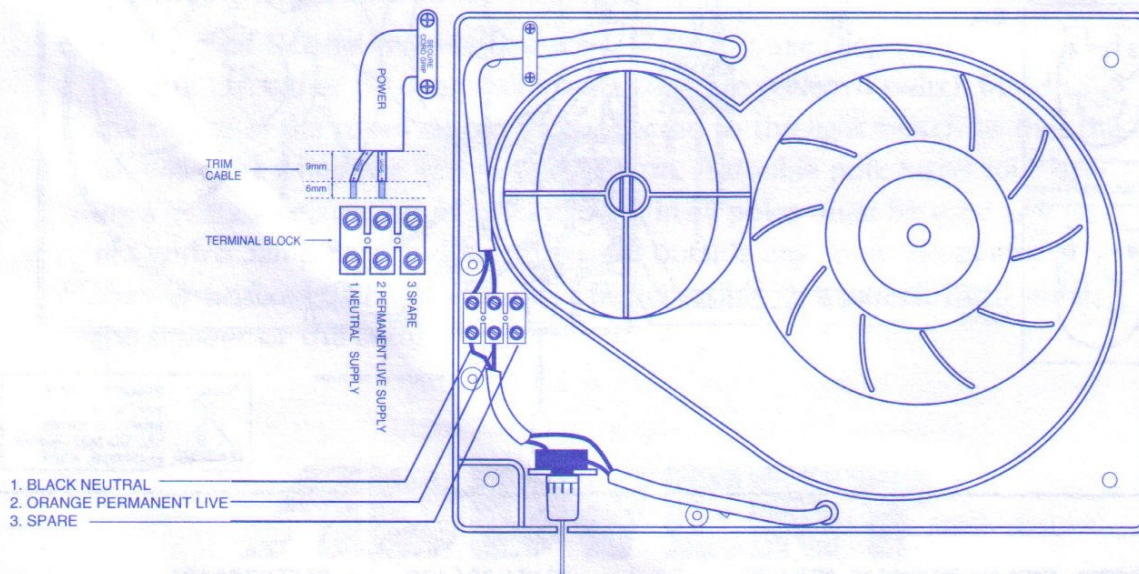
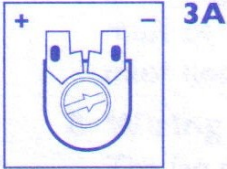


Diagram 3

AVC 110 T

Timer adjustment



- 3. ORANGE PERMANENT LIVE
- 2. YELLOW SWITCH LIVE
- 1. BLACK NEUTRAL

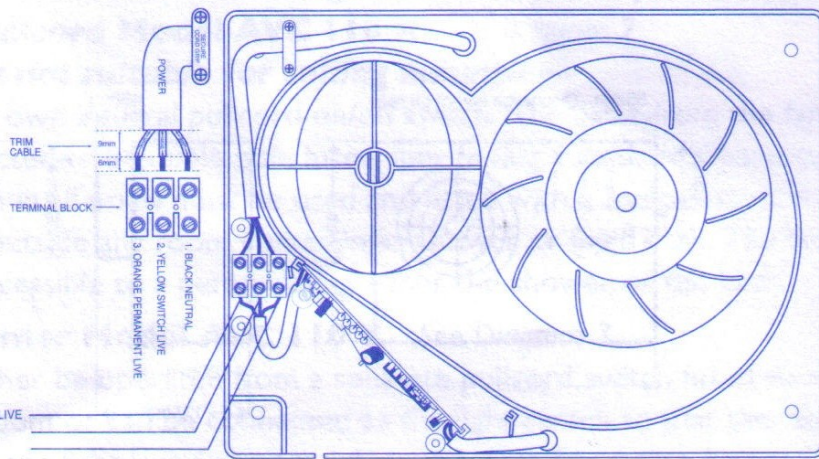
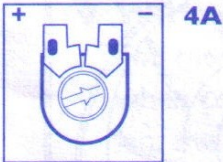


Diagram 4

AVC 110 H

Timer adjustment



Humidity adjustment



- 3. ORANGE PERMANENT LIVE
- 2. YELLOW SWITCH LIVE
- 1. BLACK NEUTRAL

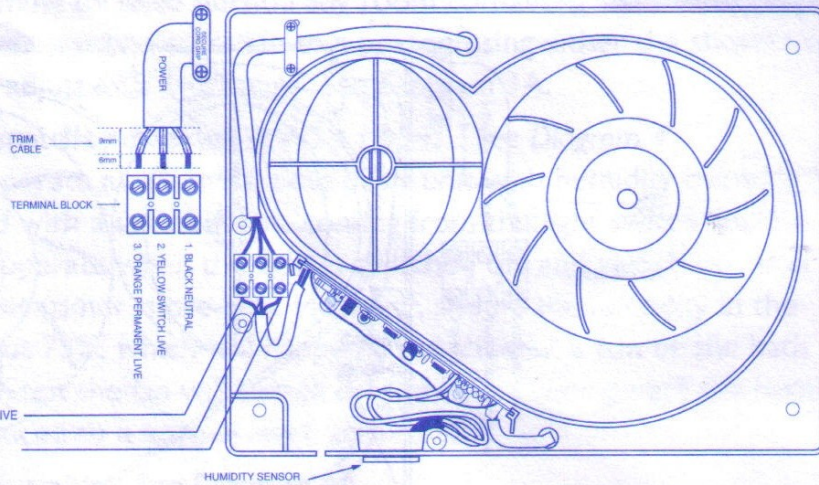
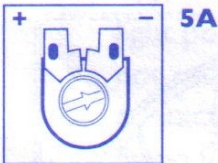


Diagram 5

AVC 110 HP

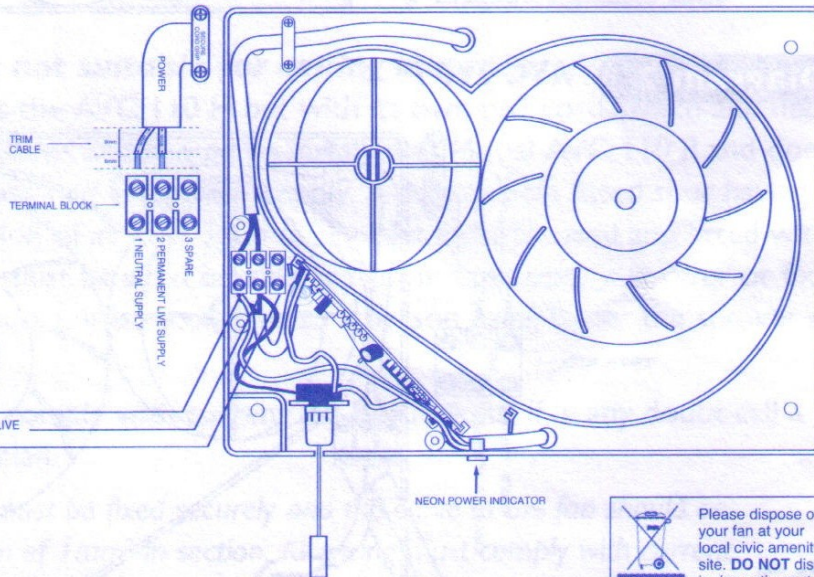
Timer adjustment



Humidity adjustment



- 1. BLACK NEUTRAL
- 2. ORANGE PERMANENT LIVE
- 3. SPARE



 Please dispose of your fan at your local civic amenity site. **DO NOT** dispose in domestic waste.